



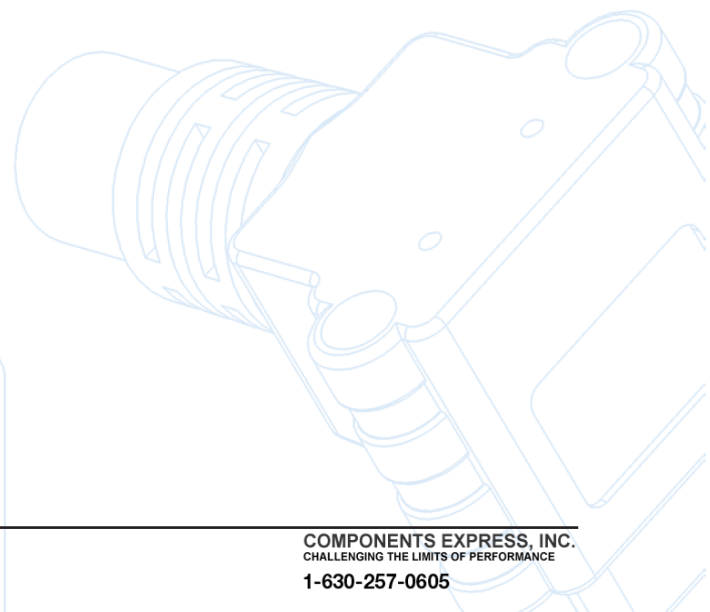
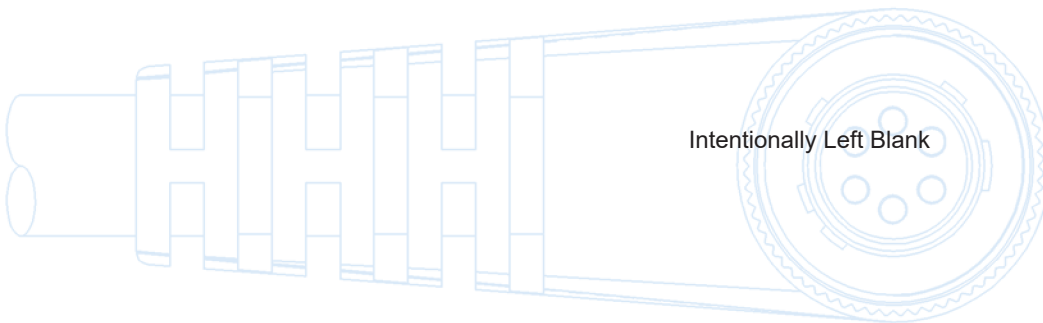
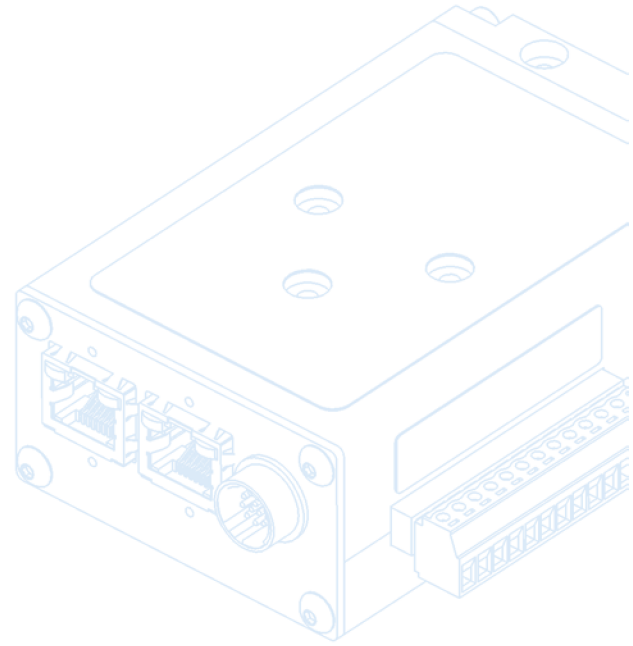
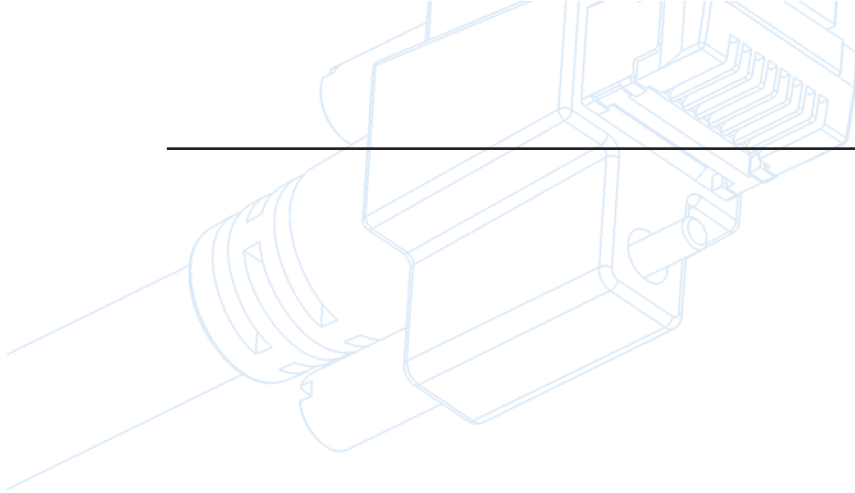
MADE IN  
  
U. S. A.

# Components Express, Inc. M12 Cordsets



05/11/2023

[www.componentsexpress.com](http://www.componentsexpress.com)





## Introduction

Established in 1992, Components Express, Inc. (CEI) is a leading manufacturer and total solution provider for demanding connectivity, enclosure, and mounting technology in the Vision and Industrial Automation Ecosystem. CEI provides mission solutions for demanding environments in various industries, including medical, industrial, robotic, military, aerospace, telecom, and automotive industries.

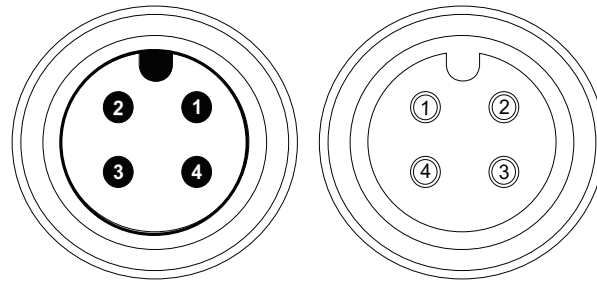
Our global headquarters and 30,000-square-foot engineering, manufacturing, and assembly operations are based outside Chicago in Woodridge, Illinois. We are logistically well-positioned to provide a resilient supply chain. Our services include engineering, R&D, manufacturing, finished goods warehousing, and global distribution. CEI utilizes highly technical distributors worldwide to better service local marketing and industries. Our customers and worldwide distributors can choose cables for their applications by utilizing the cable configuration tools on our website.

## Table of Contents

Introduction .....	3	12P A-Coded Cordsets .....	15
4P A-Coded Cordsets .....	4	17P A-Coded Cordsets .....	17
4P D-Coded Cordsets .....	6	Overview of CEI's M12 Standard Offering .....	20
5P A-Coded Cordsets .....	8		
8P A-Coded Cordsets .....	10		
8P X-Coded Cordsets .....	12		

## 4P A-Coded Cordsets

- Listed here are our straight, R/A and single-ended assemblies with black 5 conductor 28 AWG cable with drain wire.
- High-flex 18 AWG cable in black & yellow jacketing, and black cordsets with 18 and 26 AWG hi-flex cable. See on-line configurator for details
- Assembly UL Listed: 2464
- Standards: DIN EN 61076-2-101(M12)
- ROHS Compliant (2011/65/EU)
- Cable type: UL Style 2464

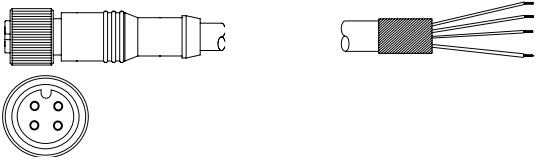
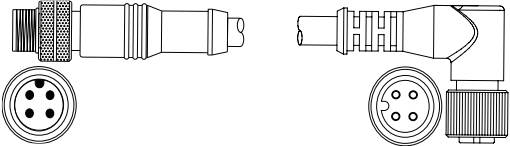
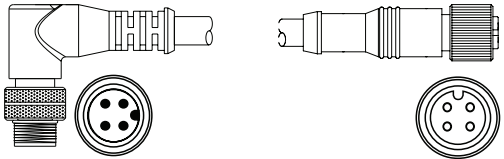
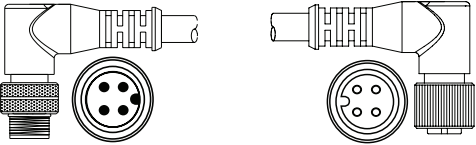
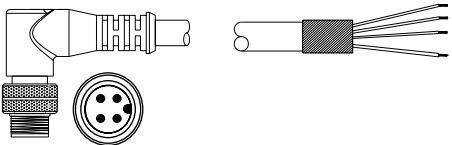
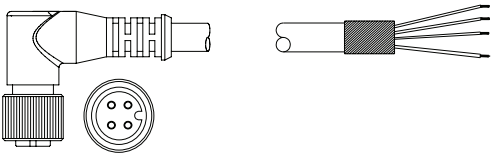


Male

Female

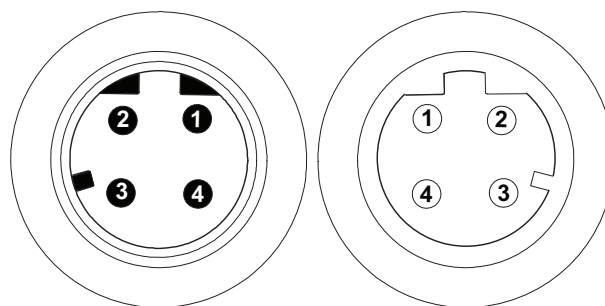
Specifications				
Conductors AWG	Wire AWG	Conductor AWG #28	Drain Wire AWG #26	
	Conductor	Tinned Copper		
	O.D. (mm)	0.381		
	Conductor Colors	1.Black, 2.Brown, 3.Yellow. 4.Blue, 5.White	Shield One	AL-foil/mylar
Insulation	Jacket Material	SR-PVC	Shield Two	Tinned copper braid
	Diameter (mm)	0.82 ± 0.06	Connector Locking Nut Material	Zinc die casting & matte nickel plated
	Thickness (mm)	0.220	Terminal	Gold plated brass
Voltage Rating	300V			
Temperature Rating	-30° – 80° C			
Spark Test	AC-2500V/0.15 sec Min			
Dielectric Strength	AC-2500V/3 sec Min			
Insulation Resistance	SR-PVC DC-500A 10 MΩ/KM Min @ 20°C			
Conductor Resistance	28AWG-237 Ω/KM Max @ 20°C			

Connectors 4 Pole/Pin	Jacket		Part Number	Length
	Material	Color		Meters
<p>Shielded 4P A-coded Cable Male Straight to Female Straight</p>	PVC Polyvinyl Chloride	Black	<i>MI-P0-1-Q0-0.3M</i>	0.3
			<i>MI-P0-1-Q0-0.5M</i>	0.5
			<i>MI-P0-1-Q0-01M</i>	1
			<i>MI-P0-1-Q0-03M</i>	3
			<i>MI-P0-1-Q0-05M</i>	5
			<i>MI-P0-1-Q0-07M</i>	7
			<i>MI-P0-1-Q0-15M</i>	15
<p>Shielded 4P A-coded Cable Straight Male to Flying Lead</p>			<i>MI-P0-1-X-0.3M</i>	0.3
			<i>MI-P0-1-X-0.5M</i>	0.5
			<i>MI-P0-1-X-01M</i>	1
			<i>MI-P0-1-X-03M</i>	3
			<i>MI-P0-1-X-05M</i>	5
			<i>MI-P0-1-X-07M</i>	7
			<i>MI-P0-1-X-15M</i>	15

Connectors 4 Pole/Pin	Jacket		Part Number	Length
	Material	Color		Meters
 <p>Shielded 4P A-coded Cable Straight Female to Flying Lead</p>	PVC Polyvinyl Chloride	Black	<i>MI-Q0-1-X-0.3M</i>	0.3
			<i>MI-Q0-1-X-0.5M</i>	0.5
			<i>MI-Q0-1-X-01M</i>	1
			<i>MI-Q0-1-X-03M</i>	3
			<i>MI-Q0-1-X-05M</i>	5
			<i>MI-Q0-1-X-07M</i>	7
			<i>MI-Q0-1-X-15M</i>	15
 <p>Shielded 4P A-coded Cable Straight Male to Right-Angle Female</p>			<i>MI-P0-1-Q1-0.3M</i>	0.3
			<i>MI-P0-1-Q1-0.5M</i>	0.5
			<i>MI-P0-1-Q1-01M</i>	1
			<i>MI-P0-1-Q1-03M</i>	3
			<i>MI-P0-1-Q1-05M</i>	5
			<i>MI-P0-1-Q1-07M</i>	7
			<i>MI-P0-1-Q1-15M</i>	15
 <p>Shielded 4P A-coded Cable Right-Angle Male to Straight Female</p>			<i>MI-P1-1-Q0-0.3M</i>	0.3
			<i>MI-P1-1-Q0-0.5M</i>	0.5
			<i>MI-P1-1-Q0-01M</i>	1
			<i>MI-P1-1-Q0-03M</i>	3
			<i>MI-P1-1-Q0-05M</i>	5
			<i>MI-P1-1-Q0-07M</i>	7
			<i>MI-P1-1-Q0-15M</i>	15
 <p>Shielded 4P A-coded Cable Right-Angle Male to Right Angle Female</p>			<i>MI-P1-1-Q1-0.3M</i>	0.3
			<i>MI-P1-1-Q1-0.5M</i>	0.5
			<i>MI-P1-1-Q1-01M</i>	1
			<i>MI-P1-1-Q1-03M</i>	3
			<i>MI-P1-1-Q1-05M</i>	5
			<i>MI-P1-1-Q1-07M</i>	7
			<i>MI-P1-1-Q1-15M</i>	15
 <p>Shielded 4P A-coded Cable Right-Angle male to Flying Lead</p>	<i>MI-P1-1-X-0.3M</i>	0.3		
	<i>MI-P1-1-X-0.5M</i>	0.5		
	<i>MI-P1-1-X-01M</i>	1		
	<i>MI-P1-1-X-03M</i>	3		
	<i>MI-P1-1-X-05M</i>	5		
	<i>MI-P1-1-X-07M</i>	7		
	<i>MI-P1-1-X-15M</i>	15		
 <p>Shielded 4P A-coded Cable Right-Angle Female to Flying Lead</p>	<i>MI-Q1-1-X-0.3M</i>	0.3		
	<i>MI-Q1-1-X-0.5M</i>	0.5		
	<i>MI-Q1-1-X-01M</i>	1		
	<i>MI-Q1-1-X-03M</i>	3		
	<i>MI-Q1-1-X-05M</i>	5		
	<i>MI-Q1-1-X-07M</i>	7		
	<i>MI-Q1-1-X-15M</i>	15		

## 4P D-Coded Cordsets

- Listed here are our straight, R/A and single-ended assemblies with black 5 conductor 28 AWG cable with drain wire.
- Black & yellow hi-flex 18 AWG & black 18 & 26 AWG hi-flex cordsets also available. See on-line configurator for details.
- Assembly UL Listed: 2464
- Standards:  
DIN EN 61076-2-101(M12)
- ROHS Compliant (2011/65/EU)
- Cable type: UL Style 2464

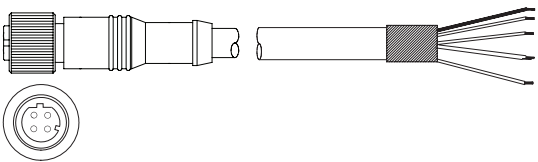
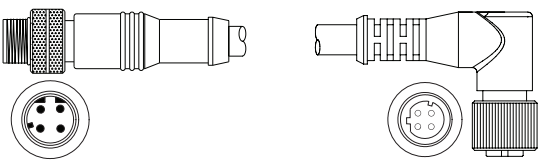
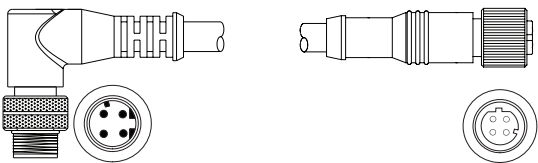
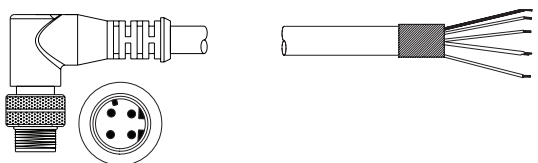
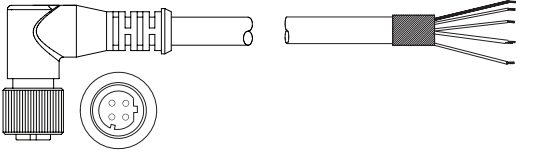
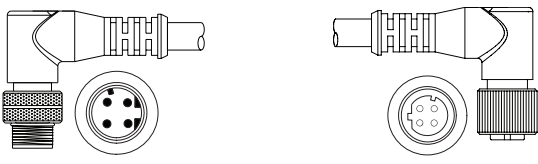


Male

Female

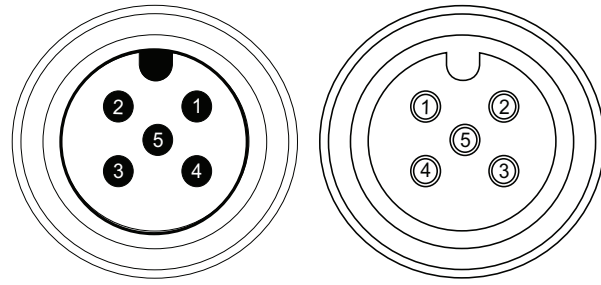
Specifications				
Conductors AWG	Wire AWG	Conductor AWG #28		Drain Wire AWG #26
	Conductor	Tinned Copper		
	O.D. (mm)	0.381		
	Conductor Colors	1.Black, 2.Brown, 3.Yellow. 4.Blue, 5.White	Shield One	AL-foil/mylar
Insulation	Jacket Material	SR-PVC	Connector Locking Nut Material	Zinc die casting & matte nickel plated
	Diameter (mm)	0.82 ± 0.06	Terminal	Gold plated brass
	Thickness (mm)	0.220		
Voltage Rating	300V			
Temperature Rating	-30° – 80° C			
Spark Test	AC-2500V/0.15 sec Min			
Dielectric Strength	AC-2500V/3 sec Min			
Insulation Resistance	SR-PVC DC-500A 10 MΩ/KM Min @ 20°C			
Conductor Resistance	28AWG-237 Ω/KM Max @ 20°C			

Connectors 4 Pole/Pin	Jacket		Part Number	Length
	Material	Color		Meters
<p>Shielded 4P D-coded Cable Straight Male to Straight Female</p>	PVC Polyvinyl Chloride	Black	<i>MI-J0-1-K0-0.3M</i>	0.3
			<i>MI-J0-1-K0-0.5M</i>	0.5
			<i>MI-J0-1-K0-01M</i>	1
			<i>MI-J0-1-K0-03M</i>	3
			<i>MI-J0-1-K0-05M</i>	5
			<i>MI-J0-1-K0-07M</i>	7
			<i>MI-J0-1-K0-15M</i>	15
<p>Shielded 4P D-coded Cable Straight Male to Flying Lead</p>			<i>MI-J0-1-X-0.3M</i>	0.3
			<i>MI-J0-1-X-0.5M</i>	0.5
			<i>MI-J0-1-X-01M</i>	1
			<i>MI-J0-1-X-03M</i>	3
			<i>MI-J0-1-X-05M</i>	5
			<i>MI-J0-1-X-07M</i>	7
			<i>MI-J0-1-X-15M</i>	15

Connectors 4 Pole/Pin	Jacket		Part Number	Length
	Material	Color		Meters
 <p>Shielded 4P D-coded Cable Straight Female to Flying Lead</p>	PVC Polyvinyl Chloride	Black	<i>MI-K0-1-X-0.3M</i>	0.3
			<i>MI-K0-1-X-0.5M</i>	0.5
			<i>MI-K0-1-X-01M</i>	1
			<i>MI-K0-1-X-03M</i>	3
			<i>MI-K0-1-X-05M</i>	5
			<i>MI-K0-1-X-07M</i>	7
			<i>MI-K0-1-X-15M</i>	15
 <p>Shielded 4P D-coded Cable Straight Male to right Angle Female</p>			<i>MI-J0-1-K1-0.3M</i>	0.3
			<i>MI-J0-1-K1-0.5M</i>	0.5
			<i>MI-J0-1-K1-01M</i>	1
			<i>MI-J0-1-K1-03M</i>	3
			<i>MI-J0-1-K1-05M</i>	5
 <p>Shielded 4P D-coded Cable Right Angle Male to Straight Female</p>			<i>MI-J1-1-K0-0.3M</i>	0.3
			<i>MI-J1-1-K0-0.5M</i>	0.5
			<i>MI-J1-1-K0-01M</i>	1
			<i>MI-J1-1-K0-03M</i>	3
			<i>MI-J1-1-K0-05M</i>	5
 <p>Shielded 4P D-coded Cable Right Angle Male to Flying Lead</p>			<i>MI-J1-1-K0-07M</i>	7
			<i>MI-J1-1-K0-15M</i>	15
			<i>MI-J1-1-X-0.3M</i>	0.3
			<i>MI-J0-1-X-0.5M</i>	0.5
	<i>MI-J0-1-X-01M</i>	1		
	<i>MI-J0-1-X-03M</i>	3		
	<i>MI-J0-1-X-05M</i>	5		
 <p>Shielded 4P D-coded Cable Right Angle Female to Flying Lead</p>	<i>MI-J0-1-X-07M</i>	7		
	<i>MI-J0-1-X-15M</i>	15		
	<i>MI-K1-1-X-0.3M</i>	0.3		
	<i>MI-K1-1-X-0.5M</i>	0.5		
	<i>MI-K1-1-X-01M</i>	1		
 <p>Shielded 4P D-coded Cable Right Angle Male to Right Angle Female</p>	<i>MI-K1-1-X-03M</i>	3		
	<i>MI-K1-1-X-05M</i>	5		
	<i>MI-K1-1-X-07M</i>	7		
	<i>MI-K1-1-X-15M</i>	15		
	<i>MI-J1-1-K1-0.3M</i>	0.3		
	<i>MI-J1-1-K1-0.5M</i>	0.5		
	<i>MI-J1-1-K1-01M</i>	1		
<i>MI-J1-1-K1-03M</i>	3			
<i>MI-J1-1-K1-05M</i>	5			
<i>MI-J1-1-K1-07M</i>	7			
<i>MI-J1-1-K1-15M</i>	15			

## 5P A-Coded Cordsets

- Listed here are our straight, R/A and single-ended assemblies with five conductor unshielded hi-flex cable for power applications.
- UL cordsets with yellow 18 AWG cable, black hi-flex 22 AWG cable & hi-flex 26 AWG cable also available. See online configurator for details.
- Assembly UL Listed: 2586 • ROHS Compliant (2011/65/EU)
- Standards: DIN EN 61076-2-101(M12) • Cable type: UL Style 2464



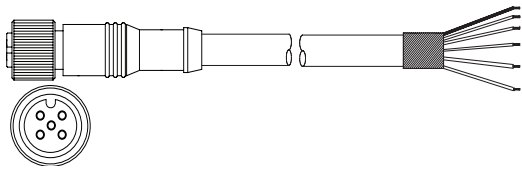
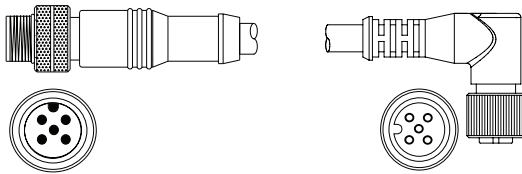
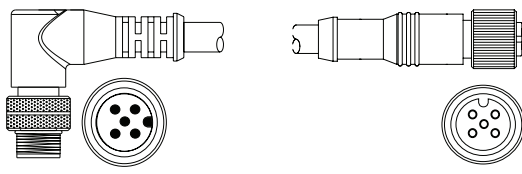
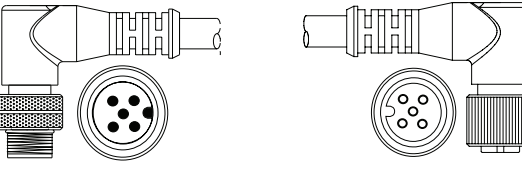
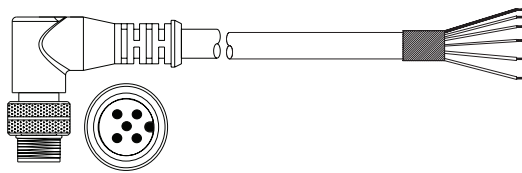
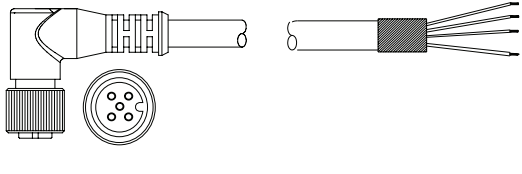
Male

Female

Specifications				
Conductors AWG	Wire AWG	Conductor AWG #18 stranded		
	Conductor	Tinned Copper		
	O.D. (mm)	0.76		
	Conductor Colors	1.Black, 2.Blue, 3.Green/yellow. 4.Brown 5.White	Tissue separator between jacket and cable conductors	
Insulation	Jacket Material	PVC	Connector Locking Nut Material	Zinc die casting & matte nickel plated
	Diameter (mm)	300	Terminal	Gold plated brass
	Thickness (mm)	0.220		
Voltage Rating	600V		Minimum bend radius: 10x OD // Cold bend: -10° C for 1 hr (no observed cracking)	
Temperature Rating	-40° – 105° C (Static)			
Spark Test	AC-3000V/0.15 sec Min			
Dielectric Strength	AC-2000Vac for 1 minute without breakdown			
Insulation Resistance	SR-PVC DC-500A 10 MΩ/KM Min @ 20°C			
Conductor Resistance	18 AWG-237 Ω/KM Max @ 20°C			

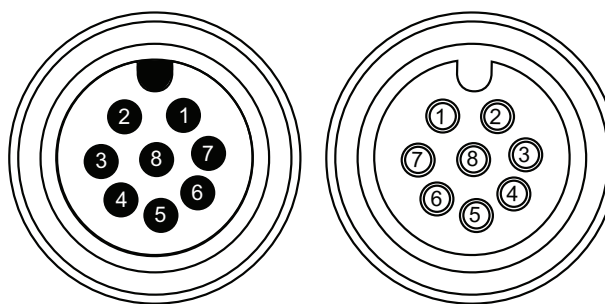
Connectors 5 Pole/Pin	Jacket		Part Number	Length
	Material	Color		Meters
<p>Unshielded 5P A-coded Cable Straight Male to Straight Female</p>	PVC Polyvinyl Chloride	Black	<i>MI-A0-A-B0-0.3M</i>	0.3
			<i>MI-A0-A-B0-0.5M</i>	0.5
			<i>MI-A0-A-B0-01M</i>	1
			<i>MI-A0-A-B0-03M</i>	3
			<i>MI-A0-A-B0-05M</i>	5
			<i>MI-A0-A-B0-07M</i>	7
			<i>MI-A0-A-B0-15M</i>	15
<p>Unshielded 5P A-coded Cable Straight Male to Flying Lead</p>			<i>MI-A0-A-X-0.3M</i>	0.3
			<i>MI-A0-A-X-0.5M</i>	0.5
			<i>MI-A0-A-X-01M</i>	1
			<i>MI-A0-A-X-03M</i>	3
			<i>MI-A0-A-X-05M</i>	5
			<i>MI-A0-A-X-07M</i>	7
			<i>MI-A0-A-X-15M</i>	15



Connectors 5 Pole/Pin	Jacket		Part Number	Length
	Material	Color		Meters
 <p>Unshielded 5P A-coded Cable Straight Female to Flying Lead</p>	PVC Polyvinyl Chloride	Black	<i>MI-B0-A-X-0.3M</i>	0.3
			<i>MI-B0-A-X-0.5M</i>	0.5
			<i>MI-B0-A-X-01M</i>	1
			<i>MI-B0-A-X-03M</i>	3
			<i>MI-B0-A-X-05M</i>	5
			<i>MI-B0-A-X-07M</i>	7
			<i>MI-B0-A-X-15M</i>	15
 <p>Unshielded 5P A-coded Cable Straight Male - Right Angle Female</p>			<i>MI-A0-A-B1-0.3M</i>	0.3
			<i>MI-A0-A-B1-0.5M</i>	0.5
			<i>MI-A0-A-B1-01M</i>	1
			<i>MI-A0-A-B1-03M</i>	3
			<i>MI-A0-A-B1-05M</i>	5
			<i>MI-A0-A-B1-07M</i>	7
			<i>MI-A0-A-B1-15M</i>	15
 <p>Unshielded 5P A-coded Cable Right Angle Male - Straight Female</p>			<i>MI-A1-A-B0-0.3M</i>	0.3
			<i>MI-A1-A-B0-0.5M</i>	0.5
			<i>MI-A1-A-B0-01M</i>	1
			<i>MI-A1-A-B0-03M</i>	3
			<i>MI-A1-A-B0-05M</i>	5
			<i>MI-A1-A-B0-07M</i>	7
			<i>MI-A0-A-B0-15M</i>	15
 <p>Unshielded 5P A-coded Cable Right Angle Male - Right Angle Female</p>	<i>MI-A1-A-B1-0.3M</i>	0.3		
	<i>MI-A1-A-B1-0.5M</i>	0.5		
	<i>MI-A1-A-B1-01M</i>	1		
	<i>MI-A1-A-B1-03M</i>	3		
	<i>MI-A1-A-B1-05M</i>	5		
	<i>MI-A1-A-B0-07M</i>	7		
	<i>MI-A0-A-B0-15M</i>	15		
 <p>Unshielded 5P A-coded Cable Right Angle Male - Flying Leads</p>	<i>MI-A1-A-X-0.3M</i>	0.3		
	<i>MI-A1-A-X-0.5M</i>	0.5		
	<i>MI-A1-A-X-01M</i>	1		
	<i>MI-A1-A-X-03M</i>	3		
	<i>MI-A1-A-X-05M</i>	5		
	<i>MI-A1-A-X-07M</i>	7		
	<i>MI-A1-A-X-15M</i>	15		
 <p>Unshielded 5P A-coded Cable Right Angle Female to Flying Lead</p>	<i>MI-B1-A-X-0.3M</i>	0.3		
	<i>MI-B1-A-X-0.5M</i>	0.5		
	<i>MI-B1-A-X-01M</i>	1		
	<i>MI-B1-A-X-03M</i>	3		
	<i>MI-B1-A-X-05M</i>	5		
	<i>MI-B1-A-X-07M</i>	7		
	<i>MI-A1-A-X-15M</i>	15		

## 8P A-Coded Cordsets

- Featured here are our straight, R/A and single-ended assemblies with 8 conductor shielded cable (UL2464).
- 8-pin A code assemblies are also available with a variety of 4 pin options for 4 pin to 8 pin assemblies. Pls. see inside backcover for details.
- Assembly UL Listed: 2238
- Standards:  
DIN EN 61076-2-101(M12)
- 
- ROHS Compliant (2011/65/EU)
- Cable type: UL Style 2464

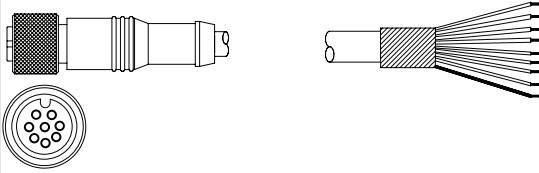
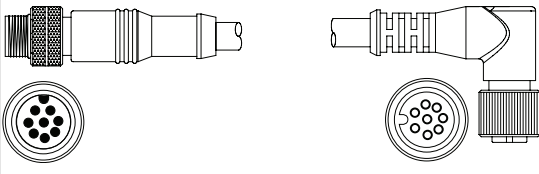
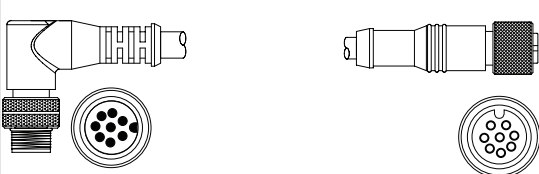
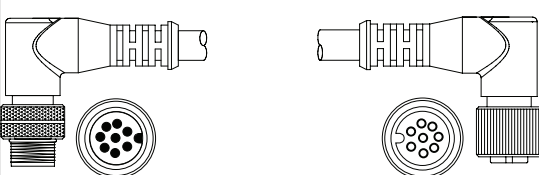
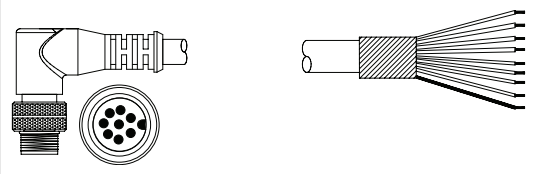
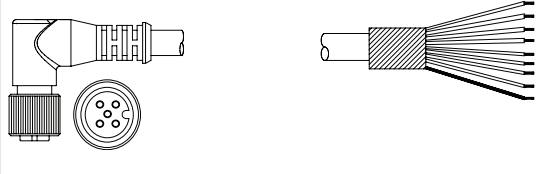


Male

Female

Specifications				
Conductors AWG	Wire AWG	Conductor AWG #28		Drain Wire AWG #28
	Conductor	Tinned Copper		
	O.D. (mm)	0.90 mm		
	Conductor Colors	1.White, 2.Brown 3.Green. 4.Yellow. 5. Grey 6.Pink, 7.Blue, 5.Red	Shield One	AL-foil/mylar
Insulation	Jacket Material	PVC	Connector Locking Nut Material	Zinc die casting & matte nickel plated
	Diameter (mm)	5.50 +/- 0.15	Terminal	Gold plated brass
	Thickness (mm)	0.76		
Voltage Rating	300V		Minimum bend radius: 10x OD // Cold bend: -10° C for 1 hr (no observed cracking)	
Temperature Rating	80° C			
Flame Retardant Test	UL VW-1			
Dielectric Strength	AC-1500V/3 sec Min			
Insulation Resistance	10 MΩ/KM Min @ 20°C			
Conductor Resistance	28AWG-237 Ω/KM Max @ 20°C			

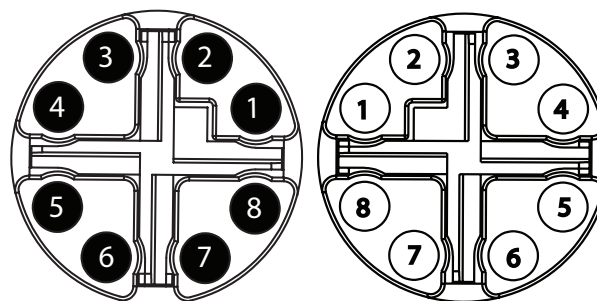
Connectors 8 Pole/Pin	Jacket		Part Number	Length
	Material	Color		Meters
<p>Unshielded 8P A-coded Cable Straight Male to Straight Female</p>	PVC Polyvinyl Chloride	Black	<i>MI-C0-2-D0-0.3M</i>	0.3
			<i>MI-C0-2-D0-0.5M</i>	0.5
			<i>MI-C0-2-D0-01M</i>	1
			<i>MI-C0-2-D0-03M</i>	3
			<i>MI-C0-2-D0-05M</i>	5
			<i>MI-C0-2-D0-07M</i>	7
			<i>MI-C0-2-D0-15M</i>	15
<p>Unshielded 8P A-coded Cable Straight Male to Flying Lead</p>	PVC Polyvinyl Chloride	Black	<i>MI-C0-2-X-0.3M</i>	0.3
			<i>MI-C0-2-X-0.5M</i>	0.5
			<i>MI-C0-2-X-01M</i>	1
			<i>MI-C0-2-X-03M</i>	3
			<i>MI-C0-2-X-05M</i>	5
			<i>MI-C0-2-X-07M</i>	7
			<i>MI-C0-2-X-15M</i>	15

Connectors 8 Pole/Pin	Jacket		Part Number	Length
	Material	Color		Meters
 <p>Unshielded 8P A-coded Cable Straight Female to Flying Lead</p>	PVC Polyvinyl Chloride	Black	<i>MI-D0-2-X-0.3M</i>	0.3
			<i>MI-D0-2-X-0.5M</i>	0.5
			<i>MI-D0-2-X-01M</i>	1
			<i>MI-D0-2-X-03M</i>	3
			<i>MI-D0-2-X-05M</i>	5
			<i>MI-D0-2-X-07M</i>	7
			<i>MI-D0-2-X-15M</i>	15
 <p>Unshielded 8P A-coded Cable Straight Male to Right-Angle Female</p>			<i>MI-C0-2-D1-0.3M</i>	0.3
			<i>MI-C0-2-D1-0.5M</i>	0.5
			<i>MI-C0-2-D1-01M</i>	1
			<i>MI-C0-2-D1-03M</i>	3
			<i>MI-C0-2-D1-05M</i>	5
			<i>MI-C0-2-D1-07M</i>	7
			<i>MI-C0-2-D1-15M</i>	15
 <p>Unshielded 8P A-coded Cable Right-Angle Male to Straight Female</p>			<i>MI-C1-2-D0-0.3M</i>	0.3
			<i>MI-C1-2-D0-0.5M</i>	0.5
			<i>MI-C1-2-D0-01M</i>	1
			<i>MI-C1-2-D0-03M</i>	3
			<i>MI-C1-2-D0-05M</i>	5
			<i>MI-C1-2-D0-07M</i>	7
			<i>MI-C1-2-D0-15M</i>	15
 <p>Unshielded 8P A-coded Cable Right-Angle Male to Right Angle Female</p>	<i>MI-C1-2-D1-0.3M</i>	0.3		
	<i>MI-C1-2-D1-0.5M</i>	0.5		
	<i>MI-C1-2-D1-01M</i>	1		
	<i>MI-C1-2-D1-03M</i>	3		
	<i>MI-C1-2-D1-05M</i>	5		
	<i>MI-C1-2-D1-07M</i>	7		
	<i>MI-C1-2-D1-15M</i>	15		
 <p>Unshielded 8P A-coded Cable Right-Angle Male to Flying Lead</p>	<i>MI-C1-2-X-0.3M</i>	0.3		
	<i>MI-C1-2-X-0.5M</i>	0.5		
	<i>MI-C1-2-X-01M</i>	1		
	<i>MI-C1-2-X-03M</i>	3		
	<i>MI-C1-2-X-05M</i>	5		
	<i>MI-C1-2-X-07M</i>	7		
	<i>MI-C1-2-X-15M</i>	15		
 <p>Unshielded 8P A-coded Cable Right-Angle Female to Flying Lead</p>	<i>MI-D1-2-X-0.3M</i>	0.3		
	<i>MI-D1-2-X-0.5M</i>	0.5		
	<i>MI-D1-2-X-01M</i>	1		
	<i>MI-D1-2-X-03M</i>	3		
	<i>MI-D1-2-X-05M</i>	5		
	<i>MI-D1-2-X-07M</i>	7		
	<i>MI-D1-2-X-15M</i>	15		

## M12 8 Pin Industrial Cables

### 8P X-Coded Cordsets

- Featured here are our straight, R/A and single-ended assemblies with 4 pair twisted pair, weld splatter resistant (UL2464) cable with teal jacketing.
- Industrial Ethernet Patch Cable CAT 5e
- POE Compliant to 85 M when installed per TIA TSB-184
- Assembly UL Listed: 2238
- Standards: DIN EN 61076-2-101(M12)

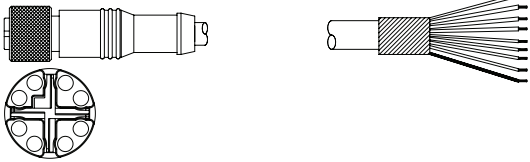
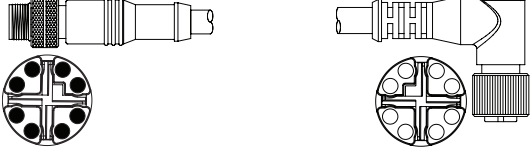



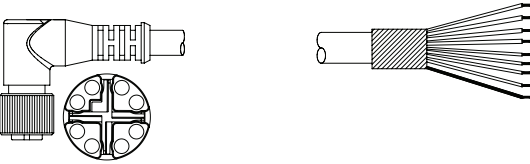


Male

Female

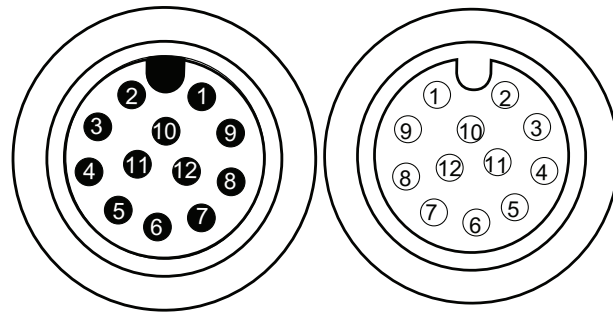
Specifications				
Conductors AWG	Wire AWG	Conductor AWG #24 stranded		
	Conductor	Tinned Copper		
	O.D. (mm)	0.0236		
	Conductor Colors	1.Black, 2.Brown, 3.Yellow. 4.Blue, 5.White	Shield One	AL-foil/mylar
Insulation	Jacket Material	PVC	Connector Locking Nut Material	Zinc die casting & matte nickel plated
	Diameter (mm)	.290 ± 0.10	Terminal	Gold plated brass
	Thickness (mm)	0.220		
Ratings	Voltage: 300V	Temperature: -30° – 80° C		
Cycle Test	1 million cycle test (10X cable O.D., min. radius // 10 million cycle test (20x cable O.D., min radius)			
Dielectric Withstanding	2000V RMS			
D.C Resistance Max	14.0 Ω/100m			
Impedance Nominal	100+/- 15 ohm 1-100 MHz			

Connectors 8 Pole/Pin	Jacket		Part Number	Length
	Material	Color		Meters
<p>Shielded 8P X-coded Cable Straight Male to Straight Female</p>	PVC Polyvinyl Chloride	Black	MI-L0-E-M0-0.3M	0.3
			MI-L0-E-M0-0.5M	0.5
			MI-L0-E-M0-01M	1
			MI-L0-E-M0-03M	3
			MI-L0-E-M0-05M	5
			MI-L0-E-M0-07M	7
			MI-L0-E-M0-15M	15
<p>Unshielded 8P X-coded Cable Straight Male to Flying Lead</p>			MI-L0-E-X-0.3M	0.3
			MI-L0-E-X-0.5M	0.5
			MI-L0-E-X-01M	1
			MI-L0-E-X-03M	3
			MI-L0-E-X-05M	5
			MI-L0-E-X-07M	7
			MI-L0-E-X-15M	15

Connectors 8 Pole/Pin	Jacket		Part Number	Length
	Material	Color		Meters
 <p>Shielded 8P X-coded Cable Straight Female to Flying Lead</p>	PVC Polyvinyl Chloride	Black	<i>MI-M0-E-X-0.3M</i>	0.3
			<i>MI-M0-E-X-0.5M</i>	0.5
			<i>MI-M0-E-X-01M</i>	1
			<i>MI-M0-E-X-03M</i>	3
			<i>MI-M0-E-X-05M</i>	5
			<i>MI-M0-E-X-07M</i>	7
			<i>MI-M0-E-X-15M</i>	15
 <p>Shielded 8P X-coded Cable Straight Male to Right Angle Female</p>			<i>MI-L0-E-M1-0.3M</i>	0.3
			<i>MI-L0-E-M1-0.5M</i>	0.5
			<i>MI-L0-E-M1-01M</i>	1
			<i>MI-L0-E-M1-03M</i>	3
			<i>MI-L0-E-M1-05M</i>	5
			<i>MI-L0-E-M1-07M</i>	7
			<i>MI-L0-E-M1-15M</i>	15
 <p>Shielded 8P X-coded Cable Right-Angle Male to Straight Female</p>			<i>MI-L1-E-M0-0.3M</i>	0.3
			<i>MI-L1-E-M0-0.5M</i>	0.5
			<i>MI-L1-E-M0-01M</i>	1
			<i>MI-L1-E-M0-03M</i>	3
			<i>MI-L1-E-M0-05M</i>	5
			<i>MI-L1-E-M0-07M</i>	7
			<i>MI-L1-E-M0-15M</i>	15
 <p>Shielded 8P X-coded Cable Right-Angle Male to Right Angle Female</p>	<i>MI-L1-E-M1-0.3M</i>	0.3		
	<i>MI-L1-E-M1-0.5M</i>	0.5		
	<i>MI-L1-E-M1-01M</i>	1		
	<i>MI-L1-E-M1-03M</i>	3		
	<i>MI-L1-E-M1-05M</i>	5		
	<i>MI-L1-E-M1-07M</i>	7		
	<i>MI-L1-E-M1-15M</i>	15		
 <p>Shielded 8P X-coded Cable Right-Angle Male to Flying Lead</p>	<i>MI-L1-E-X-0.3M</i>	0.3		
	<i>MI-L1-E-X-0.5M</i>	0.5		
	<i>MI-L1-E-X-01M</i>	1		
	<i>MI-L1-E-X-03M</i>	3		
	<i>MI-L1-E-X-05M</i>	5		
	<i>MI-L1-E-X-07M</i>	7		
	<i>MI-L1-E-X-15M</i>	15		
 <p>Shielded 8P X-coded Cable Right-Angle Female to Flying Lead</p>	<i>MI-M1-E-X-0.3M</i>	0.3		
	<i>MI-M1-E-X-0.5M</i>	0.5		
	<i>MI-M1-E-X-01M</i>	1		
	<i>MI-M1-E-X-03M</i>	3		
	<i>MI-M1-E-X-05M</i>	5		
	<i>MI-M1-E-X-07M</i>	7		
	<i>MI-M1-E-X-15M</i>	15		

## 12P A-Coded Cordsets

- Assembly UL Listed: 2238
- Standards: DIN EN 61076-2-101(M12)
- ROHS Compliant (2011/65/EU)
- Cable type: UL Style 2464

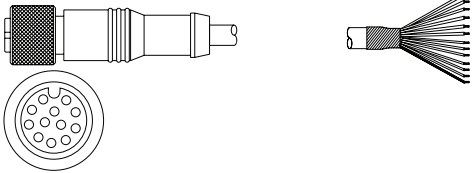
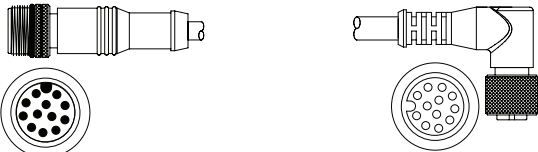

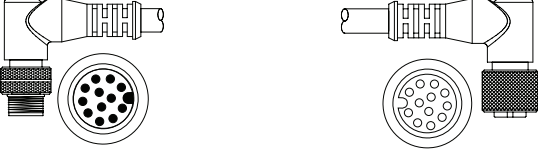

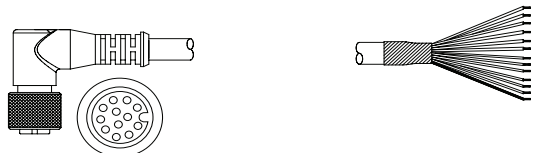


Male

Female

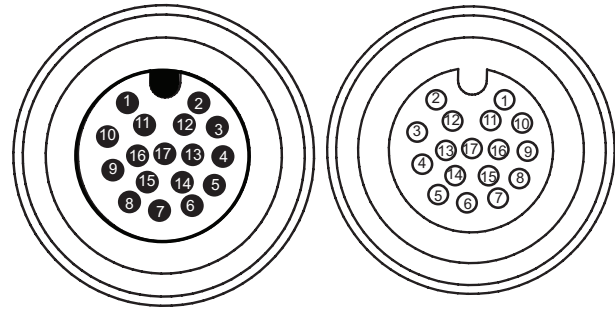
Specifications				
Conductors AWG	Wire AWG	Conductor AWG #24	Drain Wire AWG #24	
	Conductor	Tinned Copper		
	O.D. (mm)	0.6		
	Conductor Colors	1. Black 2. Brown 3. Red 4. Orange 5. Yellow 6. Green 7. Blue 8. Violet 9. Gray 10. White 11. Pink 12. Light Green	Shield One	AL-foil/mylar
Insulation	Jacket Material	PVC	Connector Locking Nut Material	Zinc die casting & matte nickel plated
	Diameter (mm)	6.5 mm	Terminal	Gold plated brass
	Thickness (mm)	0.78 mm		
Voltage Rating	300V			
Temperature Rating	-30° – 80° C			
Spark Test	AC-2500V/0.15 sec Min			
Dielectric Strength	AC-2500V/3 sec Min			
Insulation Resistance	SR-PVC DC-500A 10 MΩ/KM Min @ 20°C			
Conductor Resistance	24AWG-237 Ω/KM Max @ 20°C			

Connectors 12 Pole/Pin	Jacket		Part Number	Length
	Material	Color		Meters
<p>Unshielded 12P A-coded Cable Straight Male to Straight Female</p>	PVC Polyvinyl Chloride	Black	<i>MI-E0-3-F0-0.3M</i>	0.3
			<i>MI-E0-3-F0-0.5M</i>	0.5
			<i>MI-E0-3-F0-01M</i>	1
			<i>MI-E0-3-F0-03M</i>	3
			<i>MI-E0-3-F0-05M</i>	5
			<i>MI-E0-3-F0-07M</i>	7
<i>MI-E0-3-F0-15M</i>			15	
<p>Unshielded 12P A-coded Cable Straight Male to Flying Lead</p>			<i>MI-E0-3-X-0.3M</i>	0.3
			<i>MI-E0-3-X-0.5M</i>	0.5
			<i>MI-E0-3-X-01M</i>	1
			<i>MI-E0-3-X-03M</i>	3
			<i>MI-E0-3-X-05M</i>	5
			<i>MI-E0-3-X-07M</i>	7
			<i>MI-E0-3-X-15M</i>	15

Connectors 12 Pole/Pin	Jacket		Part Number	Length
	Material	Color		Meters
 Unshielded 12P A-coded Cable Straight Female to Flying Lead	PVC Polyvinyl Chloride	Black	<i>MI-F0-3-X-0.3M</i>	0.3
			<i>MI-F0-3-X-0.5M</i>	0.5
			<i>MI-F0-3-X-01M</i>	1
			<i>MI-F0-3-X-03M</i>	3
			<i>MI-F0-3-X-05M</i>	5
			<i>MI-F0-3-X-07M</i>	7
			<i>MI-F0-3-X-15M</i>	15
 Unshielded 12P A-coded Cable Straight male to Right-Angle Female			<i>MI-E0-3-F1-0.3M</i>	0.3
			<i>MI-E0-3-F1-0.5M</i>	0.5
			<i>MI-E0-3-F1-01M</i>	1
			<i>MI-E0-3-F1-03M</i>	3
			<i>MI-E0-3-F1-05M</i>	5
			<i>MI-E0-3-F1-07M</i>	7
			<i>MI-E0-3-F1-15M</i>	15
 Unshielded 12P A-coded Cable Right-Angle Male to Straight female			<i>MI-E1-3-F0-0.3M</i>	0.3
			<i>MI-E1-3-F0-0.5M</i>	0.5
			<i>MI-E1-3-F0-01M</i>	1
			<i>MI-E1-3-F0-03M</i>	3
			<i>MI-E1-3-F0-05M</i>	5
			<i>MI-E1-3-F0-07M</i>	7
			<i>MI-E1-3-F0-15M</i>	15
 Unshielded 12P A-coded Cable Right-Angle Male to Right Angle Female	<i>MI-E1-3-F1-0.3M</i>	0.3		
	<i>MI-E1-3-F1-0.5M</i>	0.5		
	<i>MI-E1-3-F1-01M</i>	1		
	<i>MI-E1-3-F1-03M</i>	3		
	<i>MI-E1-3-F1-05M</i>	5		
	<i>MI-E1-3-F1-07M</i>	7		
	<i>MI-E1-3-F1-15M</i>	15		
 Unshielded 12P A-coded Cable Right-Angle Male to Flying Lead	<i>MI-E1-3-X-0.3M</i>	0.3		
	<i>MI-E1-3-X-0.5M</i>	0.5		
	<i>MI-E1-3-X-01M</i>	1		
	<i>MI-E1-3-X-03M</i>	3		
	<i>MI-E1-3-X-05M</i>	5		
	<i>MI-E1-3-X-07M</i>	7		
	<i>MI-E1-3-X-15M</i>	15		
 Unshielded 12P A-coded Cable Right Angle Female to Flying Lead	<i>MI-F1-3-X-0.3M</i>	0.3		
	<i>MI-F1-3-X-0.5M</i>	0.5		
	<i>MI-F1-3-X-01M</i>	1		
	<i>MI-F1-3-X-03M</i>	3		
	<i>MI-F1-3-X-05M</i>	5		
	<i>MI-F1-3-X-07M</i>	7		
	<i>MI-F1-3-X-15M</i>	15		

## 17P A-Coded Cordsets

- Listed here are our straight, R/A and single-ended assemblies with eight pairs of 28 AWG wire and a drain wire.
- Assembly UL Listed: 2238
- Standards: DIN EN 61076-2-101(M12)
- ROHS Compliant (2011/65/EU)
- Cable type: UL Style 2464



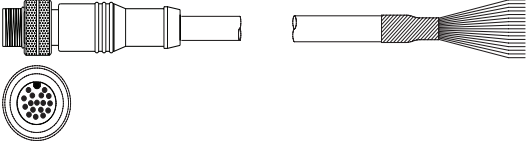
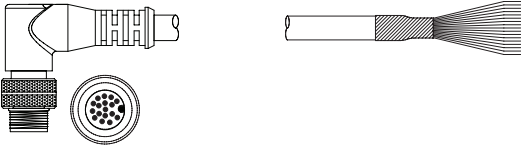
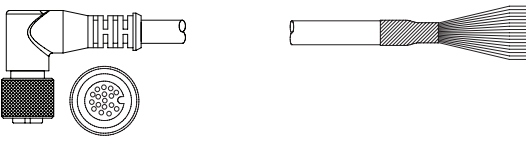
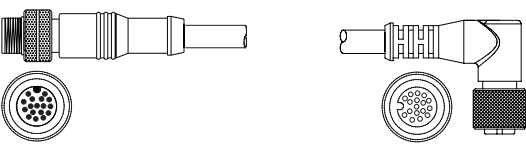


Male

Female

Specifications				
Conductors AWG	Wire AWG	Conductor AWG #26		Drain Wire AWG #26
	Conductor	Tinned Copper		
	O.D. (mm)	0.53		
	Conductor Colors	1. Black, Black/White 2. Brown, Brown/White 3. Yellow, Yellow/Black. 4. Violet, Violet/White,	Shield One	AL-foil/mylar
Insulation	Jacket Material	SR-PVC	Shield Two	Tinned copper braid
	Diameter (mm)	1.00 ± 0.07	Connector Locking Nut Material	Zinc die casting & matte nickel plated
	Thickness (mm)	0.235	Terminal	Gold plated brass
Voltage Rating	30V			
Temperature Rating	80° C			
Spark Test	AC-500V/0.15 sec Min			
Dielectric Strength	AC-750V/3 sec Min			
Insulation Resistance	SR-PVC DC-500A 10 MΩ/KM Min @ 20°C			
Conductor Resistance	26AWG-148 Ω/KM Max @ 20°C			

Connectors 17 Pole/Pin	Jacket		Part Number	Length
	Material	Color		Meters
<p>Unshielded 17P A-coded Cable Male straight to Female straight</p>	PVC Polyvinyl Chlorider	Black	<i>MI-G0-4-H0-0.3M</i>	0.3
			<i>MI-G0-4-H0-0.5M</i>	0.5
			<i>MI-G0-4-H0-01M</i>	1
			<i>MI-G0-4-H0-03M</i>	3
			<i>MI-G0-4-H0-05M</i>	5
			<i>MI-G0-4-H0-07M</i>	7
<p>Unshielded 17P A-coded Cable Straight Female to Flying Lead</p>			<i>MI-G0-4-H0-15M</i>	15
			<i>MI-H0-4-X-0.3M</i>	0.3
			<i>MI-H0-4-X-0.5M</i>	0.5
			<i>MI-H0-4-X-01M</i>	1
			<i>MI-H0-4-X-03M</i>	3
			<i>MI-H0-4-X-05M</i>	5
	<i>MI-H0-4-X-07M</i>	7		
	<i>MI-H0-4-X-15M</i>	15		



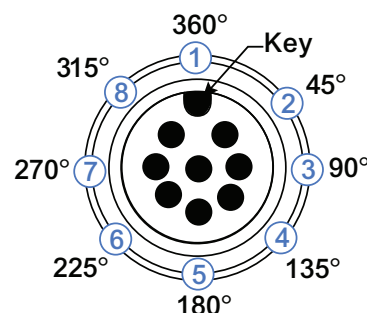
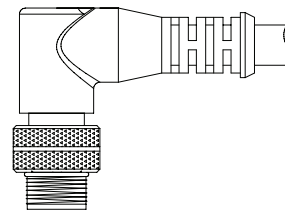
Connectors 17 Pole/Pin	Jacket		Part Number	Length
	Material	Color		Meters
 <p>Unshielded 17P A-coded Cable Straight Male to Flying Lead</p>	PVC Polyvinyl Chlorider	Black	<i>MI-G0-4-X-0.3M</i>	0.3
			<i>MI-G0-4-X-0.5M</i>	0.5
			<i>MI-G0-4-X-01M</i>	1
			<i>MI-G0-4-X-03M</i>	3
			<i>MI-G0-4-X-05M</i>	5
			<i>MI-G0-4-X-07M</i>	7
<i>MI-G0-4-X-15M</i>			15	
 <p>Unshielded 17P A-coded Cable Right Angle Male to Flying Leads</p>			<i>MI-G1-4-X-0.3M</i>	0.3
			<i>MI-G1-4-X-0.5M</i>	0.5
			<i>MI-G1-4-X-01M</i>	1
			<i>MI-G1-4-X-03M</i>	3
			<i>MI-G1-4-X-05M</i>	5
			<i>MI-G1-4-X-07M</i>	7
<i>MI-G1-4-X-15M</i>			15	
 <p>Unshielded 17P A-coded Cable Right Angle Female to Flying Lead</p>			<i>MI-H1-4-X-0.3M</i>	0.3
			<i>MI-H1-4-X-0.5M</i>	0.5
			<i>MI-H1-4-X-01M</i>	1
			<i>MI-H1-4-X-03M</i>	3
			<i>MI-H1-4-X-05M</i>	5
			<i>MI-H1-4-X-07M</i>	7
<i>MI-H1-4-X-15M</i>			15	
 <p>Unshielded 17P A-coded Cable Male straight to Right Angle Female</p>			<i>MI-G0-4-H1-0.3M</i>	0.3
			<i>MI-G0-4-H1-0.5M</i>	0.5
			<i>MI-G0-4-H1-01M</i>	1
			<i>MI-G0-4-H1-03M</i>	3
			<i>MI-G0-4-H1-05M</i>	5
			<i>MI-G0-4-H1-07M</i>	7
<i>MI-A0-A-H1-15M</i>			15	
 <p>Unshielded 17P A-coded Cable Right Angle Male to straight Female</p>			<i>MI-G1-4-H0-0.3M</i>	0.3
			<i>MI-G1-4-H0-0.5M</i>	0.5
	<i>MI-G1-4-H0-01M</i>	1		
	<i>MI-G1-4-H0-03M</i>	3		
	<i>MI-G1-4-H0-05M</i>	5		
	<i>MI-G1-4-H0-07M</i>	7		
<i>MI-G1-4-H0-15M</i>	15			
 <p>Unshielded 17P A-coded Cable Right Angle Male to Right Angle Female</p>	<i>MI-G1-4-H1-0.3M</i>	0.3		
	<i>MI-G1-4-H1-0.5M</i>	0.5		
	<i>MI-G1-4-H1-01M</i>	1		
	<i>MI-G1-4-H1-03M</i>	3		
	<i>MI-G1-4-H1-05M</i>	5		
	<i>MI-G1-4-H1-07M</i>	7		
<i>MI-G1-4-H1-15M</i>	15			

## Overview of CEI's M12 Standard Offering

See options for all CEI M12 cordsets below. Components covered under 2238 certification are highlighted in bold. On-line configurator also features RJ45 options for end 1

**NOTE:** At CEI specific "clocking" for r/a assemblies can be ordered as standard. Catalogue only features option 1.

All options shown right are available via our on-line configurator.



### PART NUMBER REFERENCE:

**MI - X X - XX - XX - ( ) M**

#### Select Connector Type: End "1"

- |                                    |                                                    |
|------------------------------------|----------------------------------------------------|
| M12, 5P Male A Coded = A           | M12, 8P Male X Coded = L                           |
| <b>M12, 5P Female A Coded = B</b>  | M12, 8P Female X Coded = M                         |
| M12, 8P Male A Coded = C           | <b>M12, 4P Male A Coded = P</b>                    |
| M12, 8P Female A Coded = D         | <b>M12, 4P Female A Coded = Q</b>                  |
| <b>M12, 12P Male A Coded = E</b>   | <b>M12, 8P Female X Coded Rear Panel Mount = R</b> |
| <b>M12, 12P Female A Coded = F</b> | <b>M12, 8P Male X Coded Rear Panel Mount = S</b>   |
| <b>M12, 17P Male A Coded = G</b>   | <b>M12, 8P Female A Coded Rear Panel Mount = T</b> |
| <b>M12, 17P Female A Coded = H</b> | <b>M12, 8P Male A Coded Rear Panel Mount = U</b>   |
| M12, 4P Male D Coded = J           | <b>Straight M12, L Female Coded = V0</b>           |
| <b>M12, 4P Female D Coded = K</b>  | <b>Straight M12, L Male Coded = W0</b>             |

#### Select Connector Orientation: End "1"

Straight Exit = 0 Right Angle: 1 = 360°, 2 = 145°, 3 = 90°, 4 = 135°, 5 = 180°, 6 = 225°, 7 = 270°, 8 = 315°

#### Cable Type Options:

- |                                             |                                              |
|---------------------------------------------|----------------------------------------------|
| 28 AWG, 5C Black = 1                        | 18 AWG, 5C, HIFLEX Black = A                 |
| 28 AWG, 8C Black = 2                        | 18 AWG, 5C (Yellow Jacket) HIFLEX Yellow = B |
| 24 AWG, 12C Black = 3                       | 22 AWG, 5C, HIFLEX Black = C                 |
| 26 AWG, 17C Black = 4                       | 26 AWG, 5C, HIFLEX Black = D                 |
| 26 AWG, 4P (CAT 6) SSTP Black = 5           | 24 AWG, 4P (CAT 5E) IND HIFLEX Teal = E      |
| 26 AWG, 4P (CAT 6A) 10 GIG ROBOTIC Teal = 6 | 22 AWG, 4P (CAT 5E) IND HIFLEX Teal = F      |
| 26 AWG, 4P (CAT 5E) ROBOTIC Teal = 7        | CF78-UL-15-05 BLACK = G                      |
| 26 AWG, 4P (CAT5E) C-TRACK Violet = 8       |                                              |
| 26 AWG, 4P (CAT5E) INDUSTRIAL Black = 9     |                                              |

#### Select Connector Type: End "2"

- |                                    |                                                    |
|------------------------------------|----------------------------------------------------|
| <b>M12, 5P Male A Coded = A</b>    | M12, 8P Male X Coded = L                           |
| <b>M12, 5P Female A Coded = B</b>  | M12, 8P Female X Coded = M                         |
| M12, 8P Male A Coded = C           | <b>M12, 4P Male A Coded = P</b>                    |
| M12, 8P Female A Coded = D         | <b>M12, 4P Female A Coded = Q</b>                  |
| <b>M12, 12P Male A Coded = E</b>   | <b>M12, 8P Female X Coded Rear Panel Mount = R</b> |
| <b>M12, 12P Female A Coded = F</b> | <b>M12, 8P Male X Coded Rear Panel Mount = S</b>   |
| <b>M12, 17P Male A Coded = G</b>   | <b>M12, 8P Female A Coded Rear Panel Mount = T</b> |
| <b>M12, 17P Female A Coded = H</b> | <b>M12, 8P Male A Coded Rear Panel Mount = U</b>   |
| M12, 4P Male D Coded = J           | <b>Straight M12, L Female Coded = V0</b>           |
| <b>M12, 4P Female D Coded = K</b>  | <b>Straight M12, L Male Coded = W0</b>             |

X on end "2" denotes Flying Leads = X

#### Select Connector Orientation: End "2"

(Connectors A-Q)

Straight Exit = 0 Right Angle: 1 = 360°, 2 = 145°, 3 = 90°, 4 = 135°, 5 = 180°, 6 = 225°, 7 = 270°, 8 = 315°

#### Length in Meters: 1 - 60

Note: UL doesn't list male to male cables.



**Components Express, Inc.**  
10330 Argonne Woods Dr. - Suite 100,  
Woodridge, Illinois 60517-5066  
Toll Free 1-800-578-6695  
Phone 1-630-257-0605  
Fax 1-630-257-0603

M12UL51023