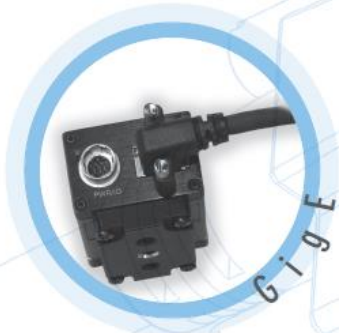


GIGABIT ETHERNET CABLES FOR USE IN GigE VISION™ APPLICATIONS



PART NUMBER REFERENCE



Select Profile Type:

- *Standard Dimension Type: 90 = V
- *Extended Dimension Type: 110 = A

Select Connector Type: End "1" (See Pg. 2)

- | | |
|--|--|
| RJ45 Straight = 1 | RJ45 HOR. RIGHT EXIIT w/Recessed Screws = 11 |
| RJ45 VRT. w/Thumbscrews = 2 | RJ45 HOR. LEFT Exit w/Recessed Screws = 12 |
| RJ45 HOR. w/Thumbscrews = 3 | M12 X-Coded 10Gig Male = 13 |
| RJ45 Straight Industrial IP67 = 4 | M12 90° Angle –Coded 10 Gig Male = 14 |
| RJ45 R/A DOWN w/Clip = 5 | M12 X-Coded 10Gig Female = 15 |
| RJ45 VRT. R/A DOWN w/Recessed Screws = 6 | M12 90° Angle –Coded 10 Gig Female = 16 |
| RJ45 HOR. R/A Up w/Thumbscrews = 7 | RJ45 Jack = 17 |
| RJ45 HOR. R/A Down w/Thumbscrews = 8 | RJ45 Slim Line = 18 |
| RJ45 VRT. RIGHT Exit w/Thumbscrews = 9 | IX-10A Industrial Ethernet = 19 |
| RJ45 VRT. LEFT Exit w/Thumbscrews = 10 | |

Cable Type Options: *

- | | | |
|-------------------------------|-----------------------------|--------------------------|
| SSTP (CAT 6) = 1 | C-Track Cable (CAT 5e) = 4 | Industrial (CAT 6a) = 7 |
| Industrial (CAT 5e) = 2 | Robotic (CAT 5e) = 5 | Ind. HiFlex (CAT 5e) = 8 |
| Extended Distance (CAT 6) = 3 | 10 GIG Robotic (CAT 6a) = 6 | |

Select Connector Type: End "2"

- | | |
|--|--|
| RJ45 Straight = 1 | RJ45 HOR. RIGHT EXIIT w/Recessed Screws = 11 |
| RJ45 VRT. w/Thumbscrews = 2 | RJ45 HOR. LEFT Exit w/Recessed Screws = 12 |
| RJ45 HOR. w/Thumbscrews = 3 | M12 X-Coded 10Gig Male = 13 |
| RJ45 Straight Industrial IP67 = 4 | M12 90° Angle –Coded 10 Gig Male = 14 |
| RJ45 R/A DOWN w/Clip = 5 | M12 X-Coded 10Gig Female = 15 |
| RJ45 VRT. R/A DOWN w/Recessed Screws = 6 | M12 90° Angle –Coded 10 Gig Female = 16 |
| HOR. R/A Up w/Thumbscrews = 7 | RJ45 Jack = 17 |
| HOR. R/A Down w/Thumbscrews = 8 | RJ45 Slim Line = 18 |
| RJ45 VRT. RIGHT Exit w/Thumbscrews = 9 | IX-10A Industrial Ethernet = 19 |
| RJ45 VRT. LEFT Exit w/Thumbscrews = 10 | |

Length in Meters: 1 – 100*

NOTES:

- *Cable type #: 3 is suitable up to 100 meters, all other cable types are suitable up to 60 meters in length.
- *Connectors #: 5-12 & 17-19, are not compatible with cable types #: 7 & 8.
- *Connector type #: 19 is only suitable with cable type #: 2.

PHYSICAL:

- Cable Color: Black, Violet or Teal
- Shell Color: Black
- Shell Construction: Where applicable -Pre-molded in Polyethylene and over-molded in black PVC.
- Fully shielded.
- Cable Construction: Meets EIA/TIA standards, category performance certified.

Temp: 6-9-21

CONNECTOR TYPES:

1



RJ45 Straight

2



RJ45 Vertical
W. Thumbscrews

3



RJ45 Horizontal
W. Thumbscrews

4



RJ45 Straight
IP67 Industrial

5



RJ45 Vertical
W. Thumbscrews

6



RJ45 Vertical R/A
Down W. Screws

7



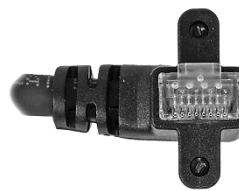
RJ45 Horizontal Right
Exit W. Thumbscrews

8



RJ45 Horizontal Right
Exit W. Thumbscrews

9



RJ45 Vertical Right
Exit W. Thumbscrews

10



RJ45 Vertical Left
Exit W. Thumbscrews

11



RJ45 Horizontal
Right Exit W. Screws

12



RJ45 Horizontal
Left Exit W. Screws

13



M12 X-Coded
Male Straight

14



M12 90° R/A
X-Coded Male

15



M12 X-Coded
Female Straight

16



M12 90° R/A
X-Coded Female

17



M12 90° R/A
X-Coded Female

18



RJ45 Slim Line

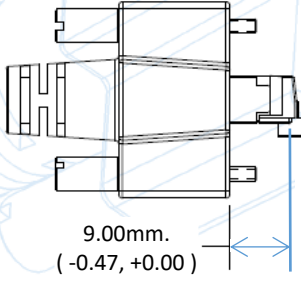
19



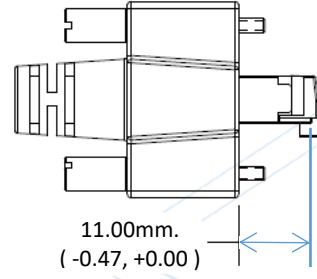
IX-10A
Industrial Ethernet

Temp: 6-9-21

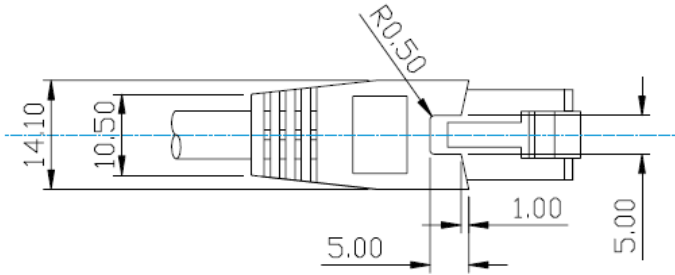
TYPE 90



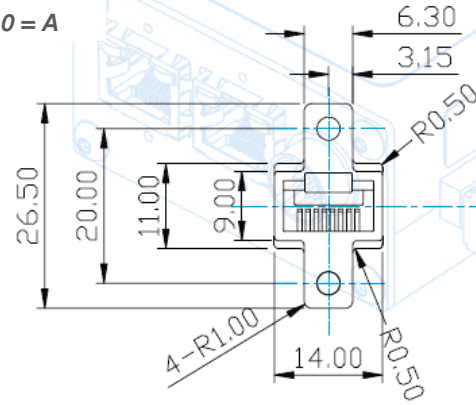
TYPE 110



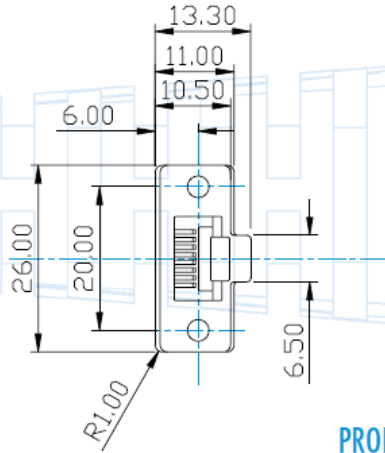
Standard Dimension Type: 90 = V
 Extended Dimension Type: 110 = A



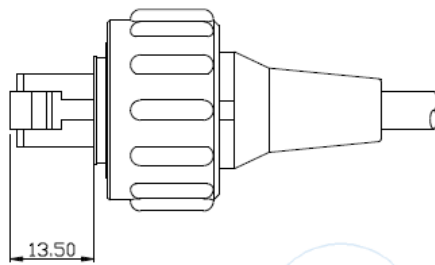
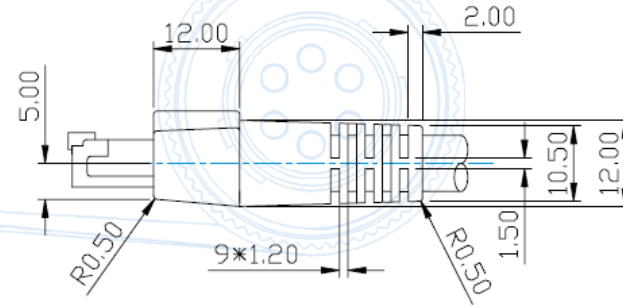
PROFILE 1



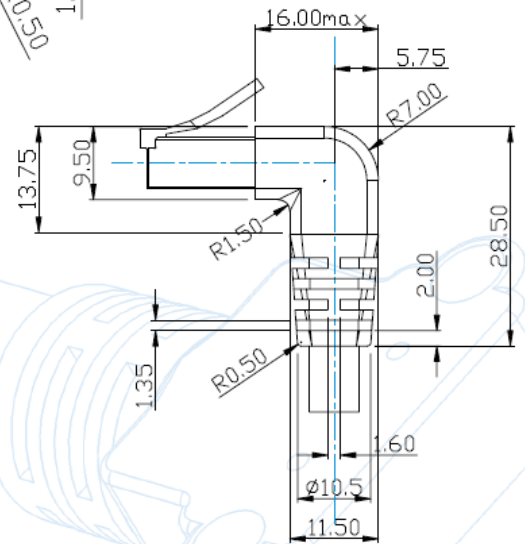
PROFILE 2



PROFILE 3

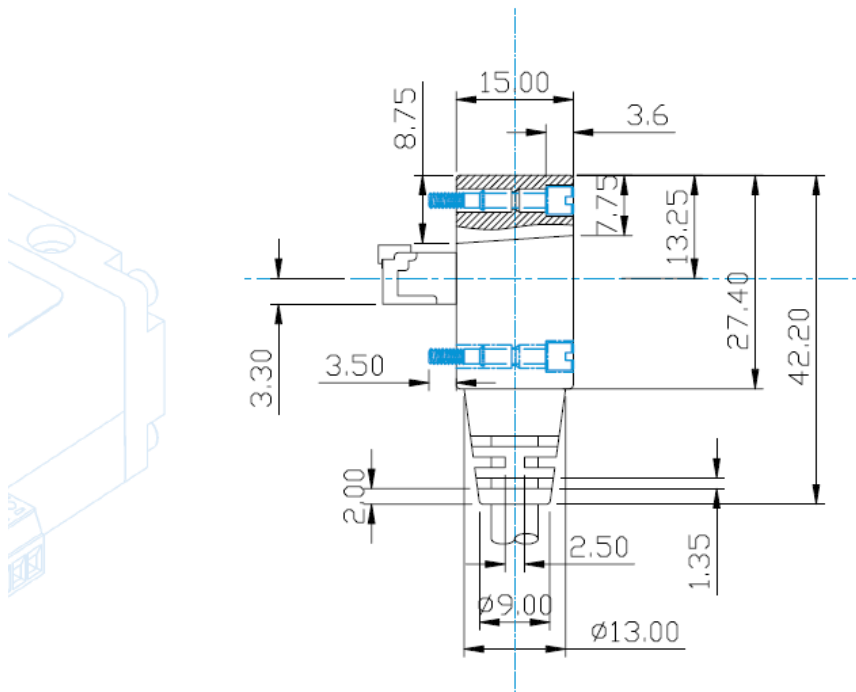


PROFILE 4

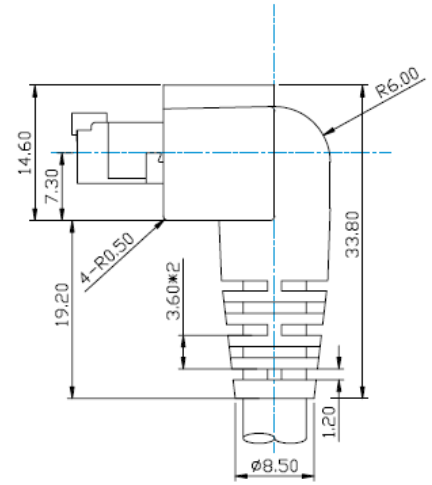


PROFILE 5

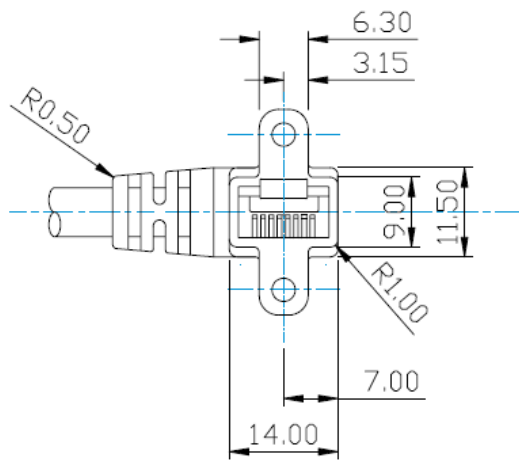
Temp: 6-9-21



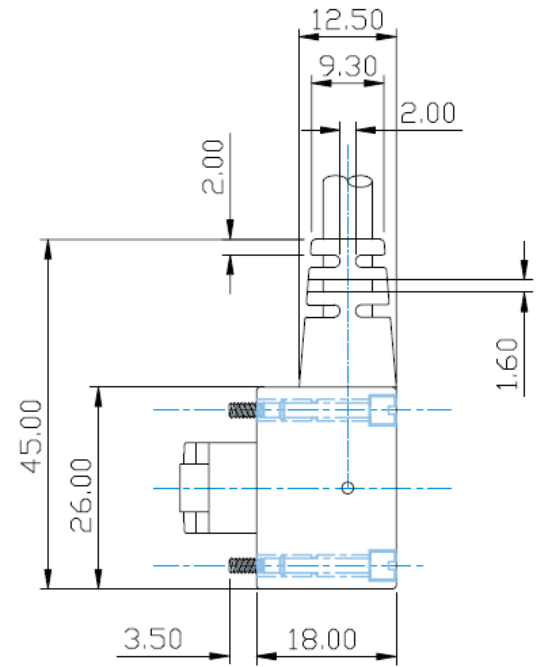
PROFILE 6



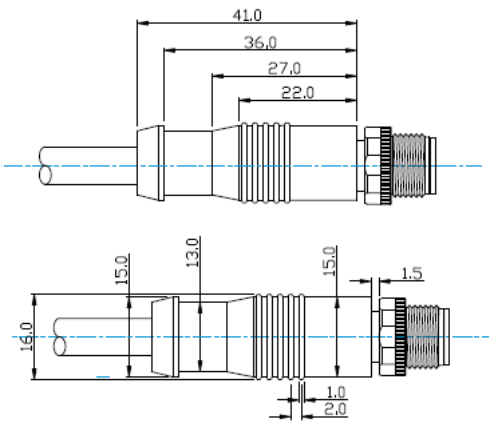
PROFILE 7 & 8



PROFILE 9 & 10



PROFILE 11 & 12



PROFILE 13 & 15

Additional Dimensional Information:

For additional information regarding the physical dimensions of our connector profiles, please visit our Web-Site: www.Componentsexpress.com or ask one our sales associates and we will be happy to assist.

Temp: 6-9-21