



CAMERA LINK MACHINE VISION CABLES

PART NUMBER REFERENCE



Select Connector Type: End "1"

- MDR Male Straight Exit = 1
- MDR Female Straight Exit = 2
- MDR Male Low Profile R/A Exit *UP* = 3
- MDR Male Low Profile R/A Exit *DWN* = 4
- HDR / SDR Male Straight Exit = 5
- HDR / SDR Male R/A Exit *UP* w/Recessed Screws = 6
- HDR / SDR Male R/A Exit *DOWN* w/Recessed Screws = 7
- MDR Male Ext. Profile R/A Exit *UP* = 8
- MDR Male Ext. Profile R/A Exit *DWN* = 9
- MDR Male Exit *RIGHT* w/Recessed Screws = 10

- MDR Male Exit *LEFT* w/Recessed Screws = 11
- HDR / SDR Female Straight Exit = 12
- MDR Male R/A *UP* 135° Exit *LEFT* = 13
- MDR Male R/A *DWN* 135° Exit *LEFT* = 14
- 14P HDR / SDR PoCL Lite Straight Exit w/Recessed Screws = 15
- MDR Latch Type Straight Exit = 16
- HDR / SDR Male Exit *RIGHT* w/Recessed Screws = 17
- HDR / SDR Male Exit *LEFT* w/Recessed Screws = 18
- HDR / SDR Male R/A *UP* Ext. Profile w/Recessed Screws = 19
- HDR / SDR Male R/A *DWN* Ext. Profile w/Recessed Screws = 20

Cable Type Options:

- HIFLEX (Robotic / C-Track) = 1
- HIFLEX PoCL (Robotic / C-Track) = 2
- 30 AWG (Robotic / C-Track) = 3
- 30 AWG PoCL (Robotic / C-Track) = 4
- PoCL Lite = 5

Select Connector Type: End "2"

- MDR Male Straight Exit = 1
- MDR Female Straight Exit = 2
- MDR Male Low Profile R/A Exit *UP* = 3
- MDR Male Low Profile R/A Exit *DWN* = 4
- HDR / SDR Male Straight Exit = 5
- HDR / SDR Male R/A Exit *UP* w/Recessed Screws = 6
- HDR / SDR Male R/A Exit *DOWN* w/Recessed Screws = 7
- MDR Male Ext. Profile R/A Exit *UP* = 8
- MDR Male Ext. Profile R/A Exit *DWN* = 9
- MDR Male Exit *RIGHT* w/Recessed Screws = 10

- MDR Male Exit *LEFT* w/Recessed Screws = 11
- HDR / SDR Female Straight Exit = 12
- MDR Male R/A *UP* 135° Exit *LEFT* = 13
- MDR Male R/A *DWN* 135° Exit *LEFT* = 14
- 14P HDR / SDR PoCL Lite Straight Exit w/Recessed Screws = 15
- MDR Latch Type Straight Exit = 16
- HDR / SDR Male Exit *RIGHT* w/Recessed Screws = 17
- HDR / SDR Male Exit *LEFT* w/Recessed Screws = 18
- HDR / SDR Male R/A *UP* Ext. Profile w/Recessed Screws = 19
- HDR / SDR Male R/A *DWN* Ext. Profile w/Recessed Screws = 20

Option: Length in Meters

Physical:

- Cable Color: Black
- Shell Color: Black
- Shell Construction: Pre-molded in Polyethelene, fully shielded and over-molded in black PVC.
- Cable Construction: Meets Automated Imaging Association Camera Link Standard. Skew-within pair: 35 ps/m max Skew-channel skew per chipset: 50 ps/m max. All cables are Camera Link approved.

Temp: 8-14-19

CONNECTOR TYPE OPTIONS:

- 1



MDR Male
Straight Exit
- 2



MDR Female
Straight Exit
w/Removable Hardware
- 3



MDR Male Low Profile
R/A UP
- 4



MDR Male Low Profile
R/A DOWN
- 5



HDR / SDR Male
Straight Exit
- 6



HDR / SDR Male R/A
Exit UP
w/Recessed Screws
- 7



HDR / SDR Male R/A
Exit DOWN
w/Recessed Screws
- 8



MDR Male Ext. Profile
R/A Exit UP
- 9



MDR Male Ext. Profile
R/A Exit DOWN
- 10



MDR Male
Exit RIGHT
w/Recessed Screws
- 11



MDR Male
Exit LEFT
w/Recessed Screws
- 12



HDR / SDR Female
Straight Exit
- 13



MDR Male R/A UP 135°
Exit LEFT
- 14



MDR Male R/A DOWN 135°
Exit LEFT
- 15



14P HDR / SDR PoCL Lite
Straight Exit
w/Recessed Screws
- 16



MDR Latch Type
Straight Exit
Diecast
- 17



HDR / SDR Male
Exit RIGHT
w/Recessed Screws
- 18



HDR / SDR Male
Exit LEFT
w/Recessed Screws
- 19



HDR / SDR Male R/A UP
Ext. Profile
w/Recessed Screws
- 20

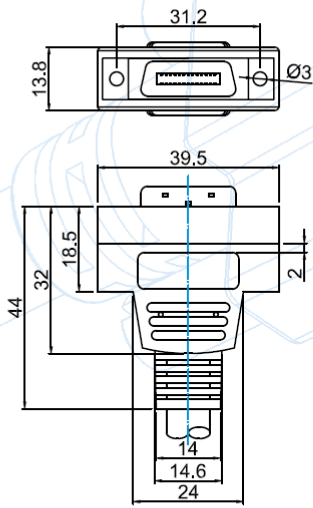


HDR / SDR Male R/A DOWN
Ext. Profile
w/Recessed Screws

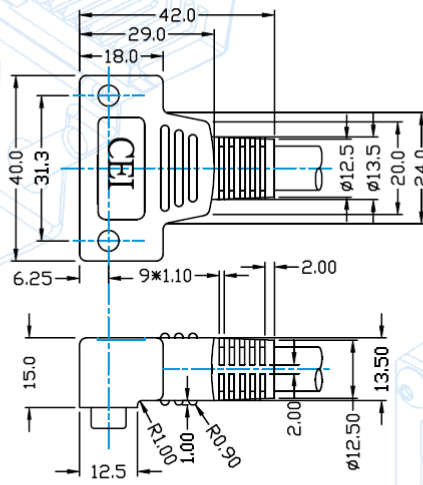
* Connector #12 & 16 are ONLY compatible with cable types 3 & 4.
 ** Cable type 5 is ONLY compatible with connector #15.

See pages 4 – 5 for profile drawings.

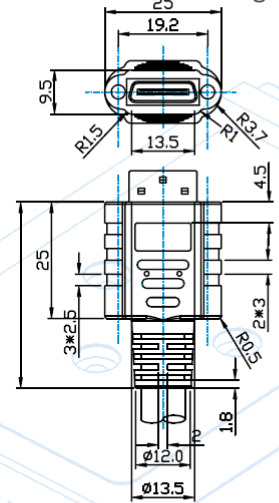
Temp:
8-14-19



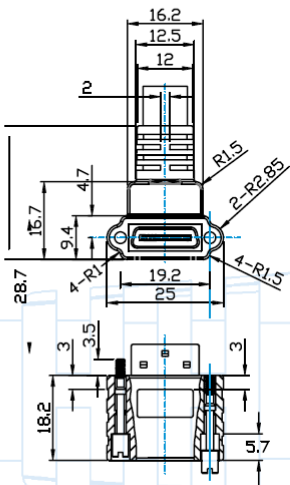
PROFILES 1 & 2



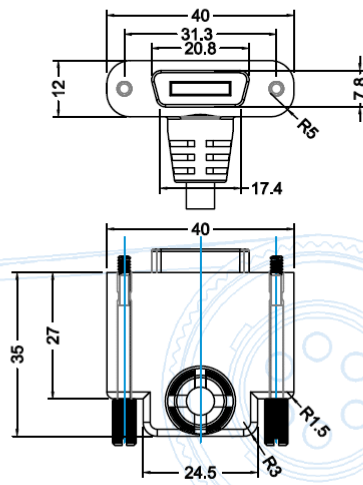
PROFILES 3 & 4



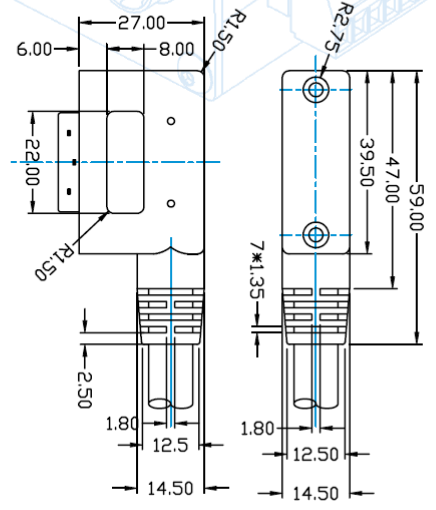
PROFILE 5



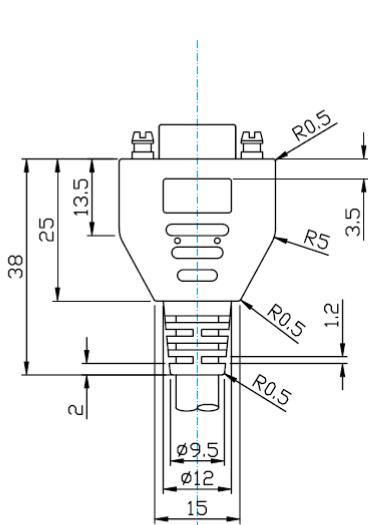
PROFILES 6 & 7



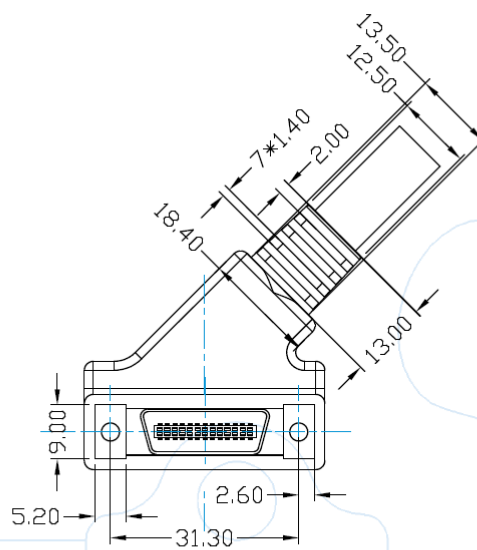
PROFILES 8 & 9



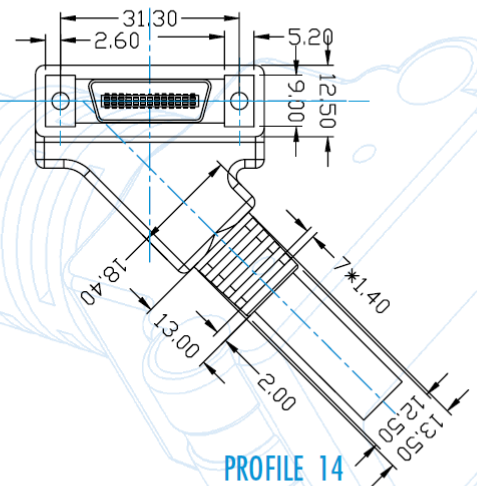
PROFILES 10 & 11



PROFILE 12

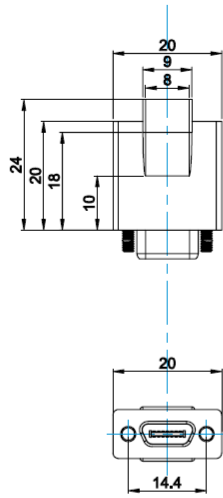


PROFILE 13

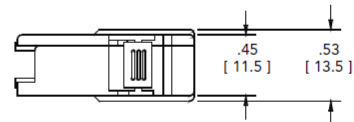
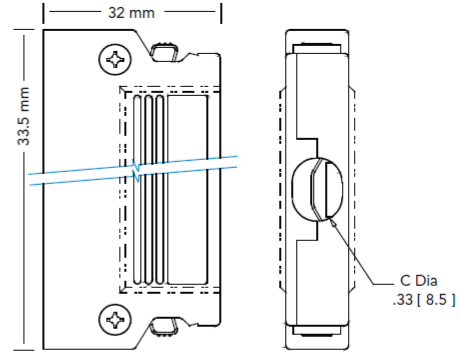


PROFILE 14

Temp: 8-14-19

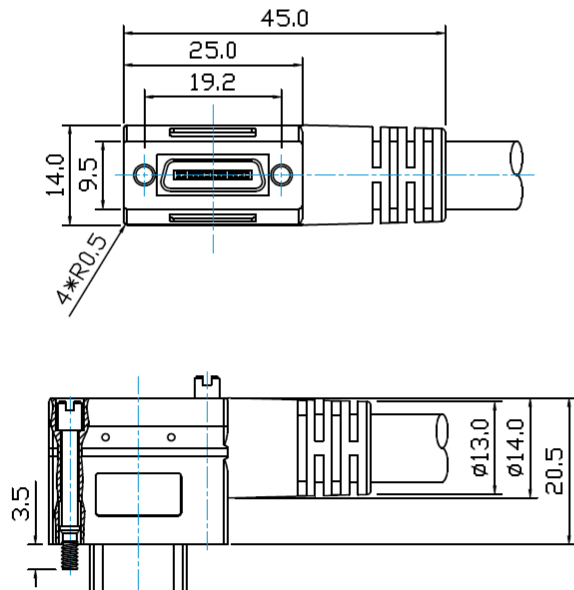


PROFILE 15

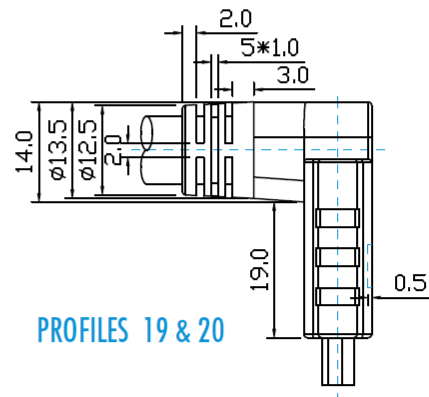
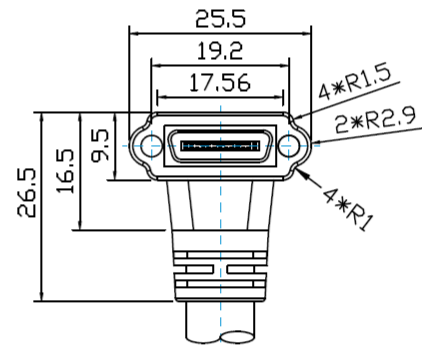


Assembled Junction Shell

PROFILE 16



PROFILES 17 & 18



PROFILES 19 & 20

MVC-Cable Type #: 1

Please Note that Cable Type #: 2 (pg. 2) may be substituted for Cable Type #: 1, For non-PoCL assemblies.

SPECIFICATION: (1P*28#+AL)*11C+4D+ FEP tape + Free-edge-AL-MYLAR +B		CONSTRUCTION	D.W.G
ITEM	SPECIFICATION	<p>COLOUR CODE: (1P-AL)*11C: 1. white^wwhite black 2. white^wwhite/red 3. white^wwhite/green 4. white^wwhite/blue 5. white^wwhite/purple 6. white^wwhite/gray 7. white^wwhite/yellow 8. white^wwhite/orange 9. white^wwhite/brown 10. white^wblue^bwhite green 11. white^wblack^bwhite red</p>	
CONDUCTOR	28AWG		
MATERIAL	TINNED COPPER		
COND.SIZE	19/0.08±0.008 mm		
MIN.AVG.THICK	0.25 mm		
MATERIAL	FM-PE+SKIN		
O . D	1.02±0.05 mm		
COVERAGE	100%		
OVERLAP	25% MIN		
N.O.	(1P+AL)*11C		
AWG	28AWG	<p>机(機)器人 / 拖链</p> <p>MINIMUM BEND RADIUS: 10X O.D.</p> <p>COMPONENTS EXPRESS, INC. 10330 Argonne Woods Drive, Ste100 Woodridge, IL 60517</p> <p>2065940066 (E0755-1) 8/8/19</p>	
MATERIAL	TINNED COPPER		
SIZE	19/0.08±0.008 mm×4PCS		
COVERAGE	100%		
OVERLAP	25% MIN		
COVERAGE	100%		
OVERLAP	25% MIN		
AWG	/		
MATERIAL	/		
SIZE	/		
MATERIAL	TINNED COPPER	<p>APPROVED</p> <p>CHECKED</p> <p>DRAWING <i>CHJ</i></p> <p>CUSTOMER</p> <p>REV A</p> <p>DATE 16/11/03</p> <p>CC-EW-206A</p>	
SIZE	24*10/0.12±0.008 mm 90% MIN		
MIN.AVG.THICK	0.51 mm		
MATERIAL	HALF MATT PVC		
COLOUR	UL813		
O . D	9.50 ± 0.20 mm		
JACKET			
		<p>ELECTRICAL CHARACTERISTICS</p> <p>1. Rating: TEMP: 80°C; VOLTAGE: 30V 2. Conductor Resistance: at 20°C: MAX 28AWG: 237.25Ω/km; 3. Insulation Resistance: 100MΩ-km min. at 20°C 4. Dielectric Strength: AC 500V/1 minute no breakdown. 5. Impedance: 100±10Ω 6. Time Delay Skew: within a pair(max) 50ps/M; 7. Delay Max 5.20ns/m</p> <p>PHYSICAL PROPERTIES OF JACKET</p> <p>1. Tensile Strength: Unaged: 1500PSI min Aged: 70% min 2. Elongation: Unaged: 100% min Aged: 65% 3. Heat shock test: NO CRACKING 4. Cold bend test: NO CRACKING 5. Deformation test: MAX 50% 6. Flame test: PASS VW-1</p>	

MVC-Cable Type #: 2

Please Note that Cable Type #: 2 (pg. 2) may be substituted for Cable Type #: 1, For non-PoCL assemblies.

SPECIFICATION: (1P*28#+AL)*11C+2C*24#+2D+ FEP tape + Free-edge-AL-MYLAR +B		CONSTRUCTION D.W.G			
ITEM	SPECIFICATION				
CONDUCTOR	28AWG TINNED COPPER COND.SIZE 19/0.08±0.008 mm MIN.AVG.THICK 0.25 mm			<p>COLOUR CODE:</p> <p>(1P+AL)*11C: 1.white*white/black 2.white*white/red 3.white*white/green 4.white*white/blue 5.white*white/purple 6.white*white/gray 7.white*white/yellow 8.white*white/orange 9.white*white/brown 10.white/blue*white/green 11.white/black*white/red 2C*24#:12.red 13.black</p>	
INSULATION	24AWG TINNED COPPER COND.SIZE 19/0.127±0.008 mm MIN.AVG.THICK 0.25 mm				
Face Outside AL.Mylar	SR-PVC 1.10±0.05 mm				
COVERLAP	/				
OVERLAP	/				
N.O.	2C				
DRAIN	24AWG TINNED COPPER				
FEP tape	19/0.127±0.008 mmx2PCS 100%				
Free-edge-AL-MYLAR	25% MIN 100%				
DRAIN	25% MIN				
BRAID	/	<p>机(機)器人 / 拖链</p> <p>MINIMUM BEND RADIUS: 10X O.D.</p>			
COPPER	TINNED COPPER SIZE 24*10/0.12±0.008 mm 90% MIN				
JACKET	0.51 mm HALF MATT PVC -20°C ~80°C				
	UL813				
	9.50 ± 0.20 mm				
<p>ELECTRICAL CHARACTERISTICS</p> <p>1.Rating: TEMP 80°C ; VOLTAGE 30V 2. Conductor Resistance: at 20°C MAX 28AWG: 237.25Ω/km; 24AWG: 93.25Ω/km 3. Insulation Resistance: 28AWG 100MΩ-km min at 20°C 24AWG 10MΩ-km min at 20°C 4. Dielectric Strength: AC 500V/1minute no breakdown. 5. Impedance: 100±10Ω 6. Time Delay Skew: within a pair(max) 50ps/M; 7. Delay Max 5.20ns/m</p>		<p>PHYSICAL PROPERTIES OF JACKET</p> <p>1. Tensile Strength: Unaged: 1500PSI min Aged: 70% min 2. Elongation: Unaged: 100% min Aged: 65% 3. Heat shock test: NO CRACKING 4. Cold bend test: NO CRACKING 5. Deformation test: MAX 50% 6. Flame test: PASS VW-1</p>			
<p>COMPONENTS EXPRESS, INC. 10330 Argonne Woods Drive, Ste 100 Woodridge, IL 60517</p>		<p>206594006900 8/8/19</p>			
<p>APPROVED</p>		<p>CUSTOMER</p>			
<p>CHECKED</p>		<p>REV A</p>			
<p>DRAWING</p>		<p>DATE 16/11/03</p>			
<p>CH/J</p>		<p>CC-EW-206A</p>			

MVC-Cable Type #: 3

SPECIFICATION:		(1P*30#+AL)*11C+4D+ FEP tape + Free-edge-AL-MYLAR +B	
ITEM	SPECIFICATION	CONSTRUCTION	D.W.G
CONDUCTOR	AWG MATERIAL COND.SIZE	30AWG TINNED COPPER 19/0.06±0.008 mm	<p>PVC JACKET AL.MYLAR BRAID Free-edge-AL-MYLAR FEP tape CONDUCTOR INSULATION FILLER DRAIN</p>
INSULATION	MIN.AVG.THICK MATERIAL O . D	0.25 mm FM-PE+SKIN 0.79±0.05 mm	
Face Outside AL.Mylar	COVERAGE OVERLAP	100% 25% MIN	
DRAIN	N O. AWG MATERIAL	(1P+AL)*11C 28AWG TINNED COPPER	
FEP tape	SIZE	19/0.08±0.008 mmx4PCS	
Free-edge-AL-MYLAR	COVERAGE OVERLAP COVERAGE OVERLAP AWG	100% 25% MIN 100% 25% MIN /	
DRAIN	MATERIAL SIZE	/	
BRAID COPPER	MATERIAL SIZE	TINNED COPPER 16*11/0.12±0.008 mm 0.51 mm	
JACKET	MATERIAL COLOUR O . D	MATT PVC UL815 8.00 ± 0.30 mm	
ELECTRICAL CHARACTERISTICS		<p>1. Conductor Resistance: at 20°C MAX 30AWG: 376.96Ω km; 2. Insulation Resistance: 10MΩ-km min at 20°C dc 500V (EIA-364-21) 3. Dielectric Strength: AC 500V/1 minute no breakdown. (EIA-364-20) 4. Impedance: 100±10Ω</p>	
PHYSICAL PROPERTIES OF JACKET		<p>1. Tensile Strength: Unaged: 1500PSI min Aged: 70% min 2. Elongation: Unaged: 100% min Aged: 65% 3. Heat shock test: NO CRACKING 4. Cold bend test: NO CRACKING 5. Deformation test: MAX 50% 6. Flame test: PASS VW-1</p>	
COLOUR CODE:		<p>(1P+AL)*11C: 1. white*white/black 2. white*white/red 3. white*white/green 4. white*white/blue 5. white*white/purple 6. white*white/gray 7. white*white/yellow 8. white*white/orange 9. white*white/brown 10. white/blue*white/green 11. white/black*white/red</p>	
机(機)机器人 / 拖链		MINIMUM BEND RADIUS: 10X O.D.	
COMPONENTS EXPRESS, INC. 10330 Argonne Woods Drive, Ste100 Woodridge, IL 60517			
APPROVED		CUSTOMER	
CHECKED		REV	
DRAWING		DATE	
CWJ		16.12.10	
96599030004		8/8/19	
CC-EW-206A			

MVC-Cable Type #: 4

SPECIFICATION: (1P*30#+AL)*11C+2C*28#+2D+ FEP tape +M +AL+B		CONSTRUCTION D.W.G	
ITEM	SPECIFICATION		
CONDUCTOR	30AWG TINNED COPPER	PVC JACKET	
	19/0.06± 0.008 mm	FEP tape	
INSULATION	0.20 mm FM-PE+SKIN	BRAID	
Face Outside AL.Mylar	0.78± 0.05 mm 100% 25% MIN	AL.MYLAR	
	(1P+AL)*11C	MYLAR	
DRAIN	28AWG TINNED COPPER	CONDUCTOR	
	19/0.08± 0.008 mmx2PCS	INSULATION	
FEP tape	100%	FILLER	
Mylar	100%	DRAIN	
Face Outside AL.Mylar	25% MIN	COLOUR CODE: (1P+AL)*11C: 1.white^white/black 2. white^white/red 3. white^white/green 4. white^white/blue 5. white^white/purple 6. white^white/gray 7. white^white/yellow 8. white^white/orange 9. white^white/brown 10. white blue^white/green 11. white/black^white/red 2C*28#: 12.black 13.red	
DRAIN	25% MIN		
BRAID	/	机(機)器人 / 拖链 MINIMUM BEND RADIUS: 10X O.D.	
COPPER	TINNED COPPER		
JACKET	16*11/0.12± 0.008 mm 0.51 mm MATT PVC UL813 BLACK 7.60 ± 0.20 mm		
		COMPONENTS EXPRESS, INC. 10330 Argonne Woods Drive, Ste100 Woodridge, IL 60517	
		96599261002 8/8/19	
		APPROVED	CUSTOMER
		CHECKED	REV
		DRAWING	DATE
		CWJ	2017.02.15
ELECTRICAL CHARACTERISTICS 1. Conductor Resistance: at 20°C MAX 30AWG: 376.96Ω/km; 28AWG: 237.25Ω/km; 2. Insulation Resistance: 30AWG 100MΩ·km min at 20°C dc 500V 28AWG 10MΩ·km min at 20°C dc 500 3. Dielectric Strength: AC 500V/1minute no breakdown. 4. Impedance: 100±10Ω 5. Time Delay Skew: within a pair(max) 50ps/M;		PHYSICAL PROPERTIES OF JACKET 1. Tensile Strength: Unaged: 1500PSI min Aged: 70% min 2. Elongation: Unaged: 100% min Aged: 65% 3. Heat shock test: NO CRACKING 4. Cold bend test: NO CRACKING 5. Deformation test: MAX 50% 6. Flame test: PASS VW-1	

MVC-Cable Type #: 5

SPECIFICATION:		(1P*30# +AL)*5C+2C*30# +2D+M+AL+B	
ITEM	SPECIFICATION		
CONDUCTOR	30AWG	30AWG	30AWG
MATERIAL	TINNED COPPER	TINNED COPPER	TINNED COPPER
COND.SIZE	7/0.10± 0.008 mm	7/0.10± 0.008 mm	7/0.10± 0.008 mm
MIN.AVG.THICK	0.18 mm	0.10 mm	0.10 mm
MATERIAL	FM-PE+SKIN	SR-PVC	
O . D	0.72±0.06 mm	0.60± 0.05 mm	
N.O.	1P*5C	2C	
AWG	/	/	
MATERIAL	/	/	
SIZE	/	/	
COVERAGE	100%	/	
OVERLAP	25%MIN	/	
COVERAGE	/	/	
OVERLAP	/	/	
MATERIAL	/	TINNED COPPER	
SIZE	/	7/0.127± 0.008 mm*2PCS	
COVERAGE	100%		
OVERLAP	25%MIN		
COVERAGE	100%		
OVERLAP	25%MIN		
MATERIAL		TINNED COPPER	
SIZE		16*10/0.10± 0.008 mm 7PICH 90%MIN	
MIN.AVG.THICK		0.51 mm	
MATERIAL		MATT PVC	
COLOUR		UL813 BLACK	
O . D		5.50± 0.20 mm	
JACKET	ELECTRICAL CHARACTERISTICS		PHYSICAL PROPERTIES OF JACKET
	1. Rating: TEMP : 80C ; VOLTAGE: 30V 2. Conductor Resistance: at 20C MAX 30AWG: 376.96Ω km. 3. Insulation Resistance: 30# SR 100MΩ-km min at 20C dc 500V (EIA-364-21) 30# FM-PE-SKIN 100MΩ-km min at 20C dc 500V (EIA-364-21) 4. Dielectric Strength: AC 300V/Innate no breakdown. (EIA-364-20) 5. Impedance: Pairs (differential mode) 100±10Ω 6. Delay Skew: 50ps/in		1. Tensile Strength: Unaged: 1500PSI min Aged: 70% min 2. Elongation: Unaged: 100% min Aged: 65% 3. Heat shock test: NO CRACKING 4. Cold bend test: NO CRACKING 5. Deformation test: MAX 50% 6. Flame test: PASS VW-1
<p>CONSTRUCTION D.W.G</p> <p>COLOUR CODE: 5P*30AWG: 1. WHITE*WHITE/BLACK 2. WHITE*WHITE/RED 3. WHITE*WHITE/GREEN 4. WHITE*WHITE/BLUE 5. WHITE*WHITE/PURPLE 2C*30AWG: 6.BLACK 7.RED</p>			
<p>MINIMUM BEND RADIUS: 10X O.D.</p>			
<p>COMPONENTS EXPRESS, INC. 10330 Argonne Woods Drive, Ste 100 Woodridge, IL 60517</p>			
<p>96595230002 8/8/19</p>			
APPROVED		CUSTOMER	
CHECKED		REV	A
DRAWING	CHJ	DATE	2017.02.16