

FIREWIRE IEEE-1394 CABLES

PART NUMBER REFERENCE



Select Connector Type: End "1"

- | | |
|-----------------------------------|--|
| 1394b 9 Pin w/Thumbscrews = 1 | 1394b R/A <i>UP</i> w/Recessed Screws = 11 |
| 1394b 9 Pin Friction Fit = 2 | 1394b R/A <i>DOWN</i> w/Recessed Screws = 12 |
| 1394a 6 Pin w/Thumbscrews = 3 | 1394b 9 Pin Exit <i>RIGHT</i> w/Screw = 13 |
| 1394a 6 Pin Friction Fit = 4 | 1394b 9 Pin Exit <i>LEFT</i> w/Screw = 14 |
| 1394a 6 Pin w/Latches = 5 | 1394a 6 Pin R/A (Cable Exit Pin 1) = 15 |
| 1394b 9 Pin R/A <i>UP</i> = 6 | 1394a 6 Pin R/A (Cable Exit Pin 6) = 16 |
| 1394b 9 Pin R/A <i>DOWN</i> = 7 | 1394a 6 Pin Female = 17 |
| 1394b 9 Pin Exit <i>RIGHT</i> = 8 | 1394a 6 Pin R/A (Cable Exit Pin 1) = 18 |
| 1394b 9 Pin Exit <i>LEFT</i> = 9 | 1394a 6 Pin R/A (Cable Exit Pin 6) = 19 |
| 1394b 9 Pin Female = 10 | |

Cable Type Options:

- Standard Static Cable = 1
- HIFLEX = 2
- Extended Distance = 3
- ROBOTIC = 4 *

Select Connector Type: End "2"

- | | |
|-----------------------------------|--|
| 1394b 9 Pin w/Thumbscrews = 1 | 1394b R/A <i>UP</i> w/Recessed Screws = 11 |
| 1394b 9 Pin Friction Fit = 2 | 1394b R/A <i>DOWN</i> w/Recessed Screws = 12 |
| 1394a 6 Pin w/Thumbscrews = 3 | 1394b 9 Pin Exit <i>RIGHT</i> w/Screw = 13 |
| 1394a 6 Pin Friction Fit = 4 | 1394b 9 Pin Exit <i>LEFT</i> w/Screw = 14 |
| 1394a 6 Pin w/Latches = 5 | 1394a 6 Pin R/A (Cable Exit Pin 1) = 15 |
| 1394b 9 Pin R/A <i>UP</i> = 6 | 1394a 6 Pin R/A (Cable Exit Pin 6) = 16 |
| 1394b 9 Pin R/A <i>DOWN</i> = 7 | 1394a 6 Pin Female = 17 |
| 1394b 9 Pin Exit <i>RIGHT</i> = 8 | 1394a 6 Pin R/A (Cable Exit Pin 1) = 18 |
| 1394b 9 Pin Exit <i>LEFT</i> = 9 | 1394a 6 Pin R/A (Cable Exit Pin 6) = 19 |
| 1394b 9 Pin Female = 10 | |

Option: Length in Meters

- * Cable type 1: Suitable up to 4.5M
- * Cable type 2: Suitable up to 8M
- * Cable type 3: Suitable for 6 - 10M
- * Cable type 4: Is Not compatible w/Conn. Type: 5

Physical:

- Cable Color: Black
- Shell Color: Black
- Shell Construction: Pre-molded in Polyethylene, fully shielded and over-molded in black PVC.
- Cable Construction: Meets industry S-400 and S-800 standards. All cables are fully certified.

Temp: 8-8-19

CONNECTOR TYPE OPTIONS:



1394b 9 Pin
w/Thumbscrews



1394b 9 Pin
Friction Fit



1394a 6 Pin
w/Thumbscrews



1394a 6 Pin
Friction Fit



1394a 6 Pin
w/Latches



1394b 9 Pin
R/A UP



1394b 9 Pin
R/A DOWN



1394b 9 Pin
Exit RIGHT
Friction Fit



1394b 9 Pin
Exit LEFT
Friction Fit



1394b 9 Pin
Female
w/Removeable Hardware



1394b R/A UP
w/Recessed Screws



1394b R/A DOWN
w/Recessed Screws



1394b 9 Pin
Exit RIGHT
w/Recessed Screw



1394b 9 Pin
Exit LEFT
w/Recessed Screw



1394a 6 Pin R/A
(Cable Exit Pin 1)
Friction Fit



1394a 6 Pin R/A
(Cable Exit Pin 6)
Friction Fit



1394a 6 Pin
Female
Friction Fit

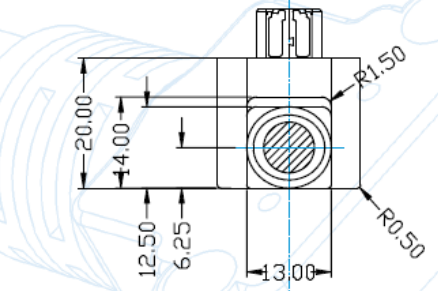
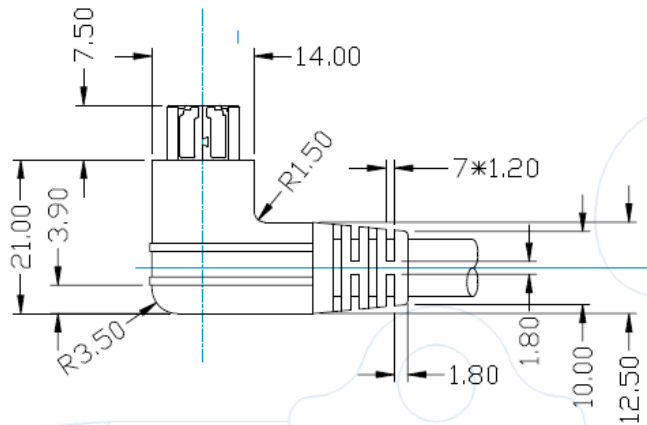
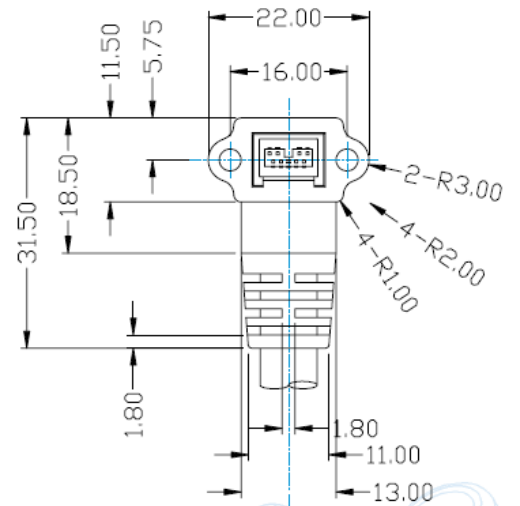
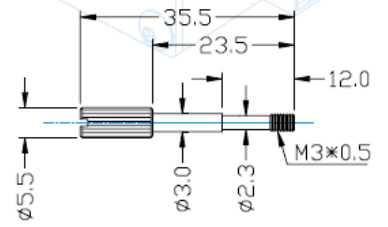
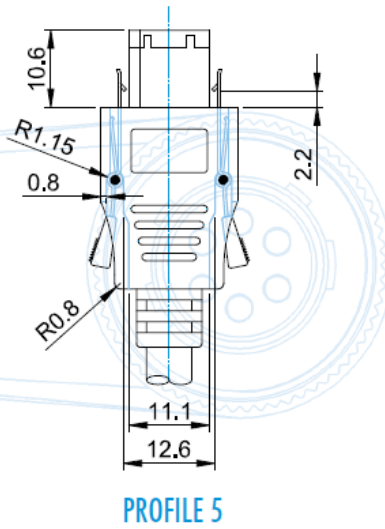
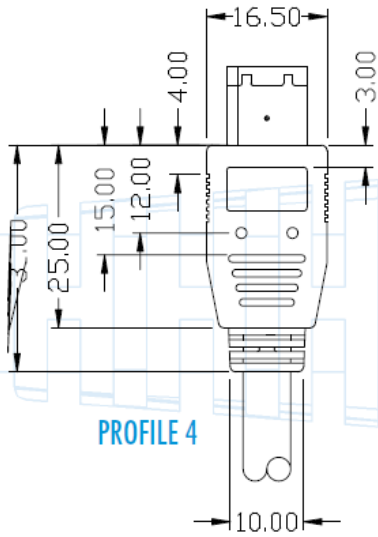
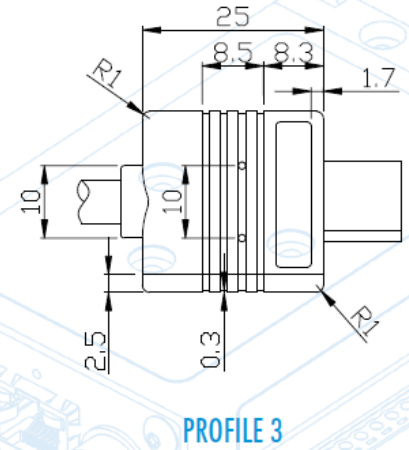
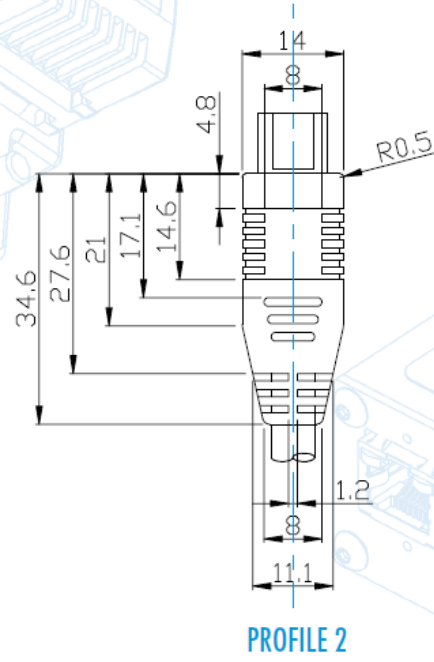
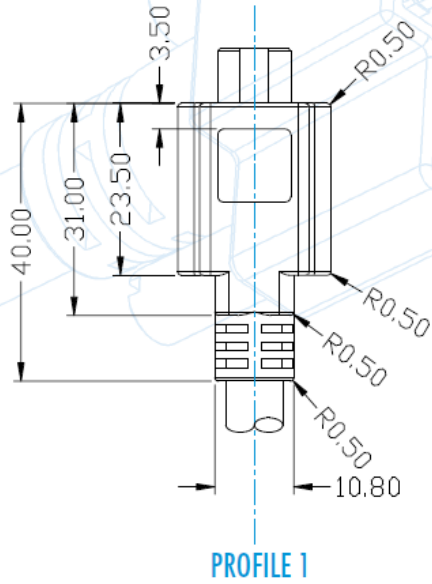


1394a 6 Pin R/A
(Cable exit Pin 1)
Friction Fit

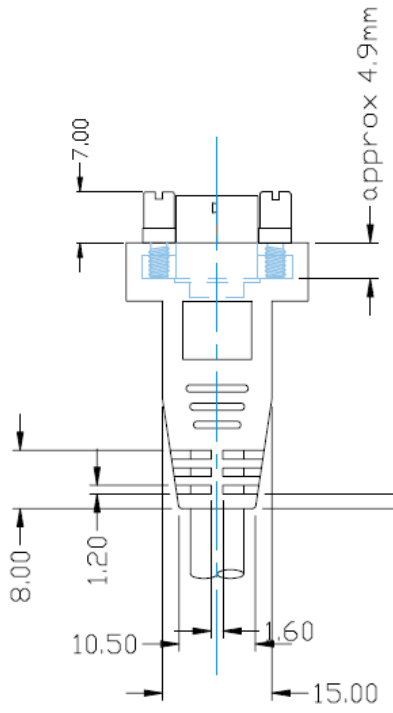
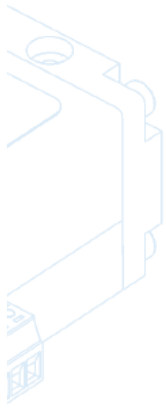


1394a 6 Pin R/A
(Cable Exit Pin 6)
Friction Fit

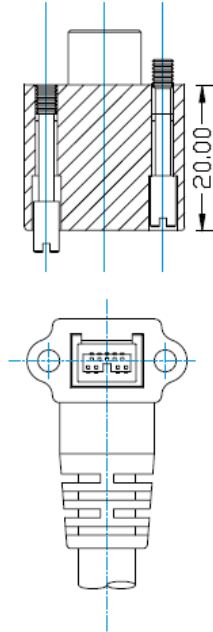
Temp: 8-8-19



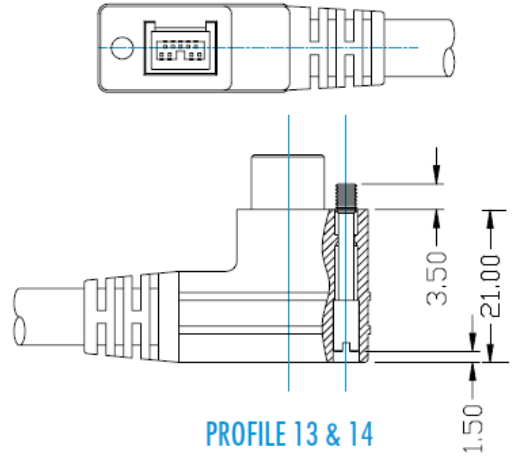
Temp: 8-8-19



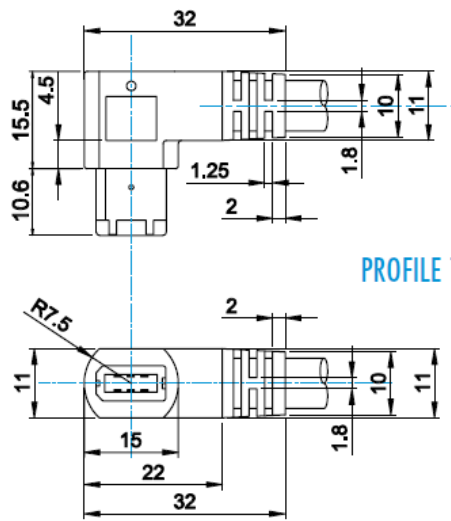
PROFILE 10



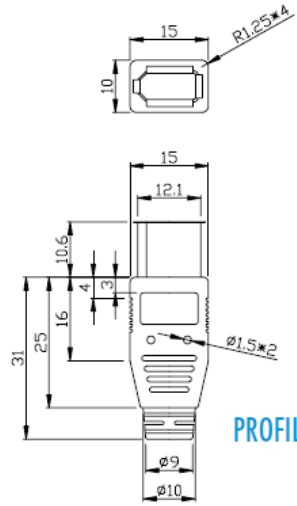
PROFILE 11 & 12



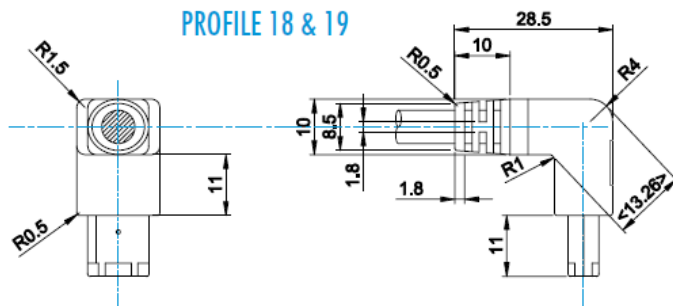
PROFILE 13 & 14



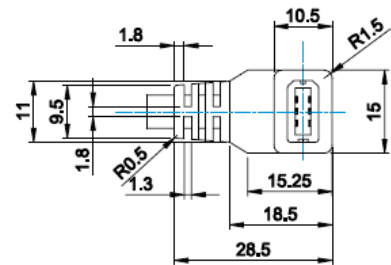
PROFILE 15 & 16



PROFILE 17



PROFILE 18 & 19



Temp: 8-8-19