



**COMPONENTS EXPRESS, INC.**  
INDUSTRY LEADING PERFORMANCE

10330 Argonne Woods Drive, Suite 100 • Woodridge, IL 60517

Tel 630-257-0605 / 800-578-6695 (outside Illinois) Fax 630-257-0603

## ***CEI Machine Vision Camera Enclosure Adjustable Mount***

As a leading innovator in the Machine Vision Industry, CEI is proud to introduce our new line of Machine Vision Camera Enclosures, Cables, and Accessories for demanding vision applications.

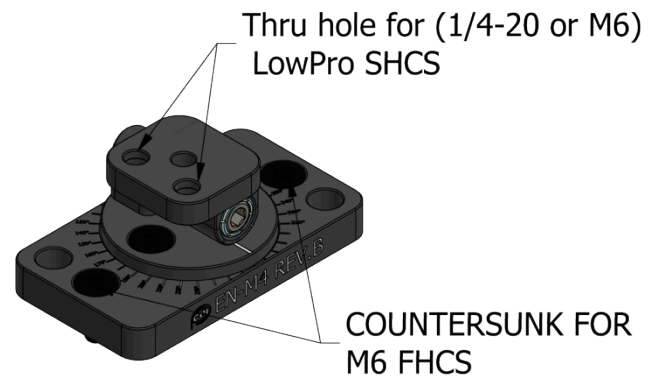
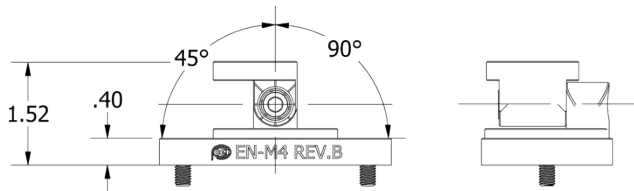
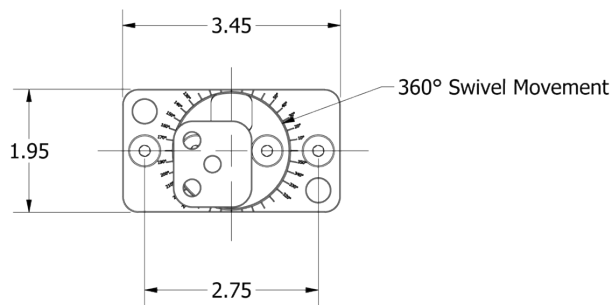
### **EN-M4 Adjustable Camera Mount**

- CEI part number: EN-M4
- Supports 360° rotation, 90° tilting
- Index marks for quick repeatable setups
- Strong collet-style tilt lock
- Lightweight low-profile design
- Type 2 anodizing
- Competitive pricing
- Made in USA, Patent Pending

Contact CEI for Application and Configuration Details.



**EN-M4 Mount** shown with  
CEI 55mm IP67 Round Enclosure



**Call Components Express, Inc. at 630-257-0605 for Ordering Information.**

IEN-M4 - Rev B



**COMPONENTS EXPRESS, INC.**  
INDUSTRY LEADING PERFORMANCE

10330 Argonne Woods Drive, Suite 100 • Woodridge, IL 60517

Tel 630-257-0605 / 800-578-6695 (outside Illinois) Fax 630-257-0603

## ***CEI Machine Vision Camera Enclosure Extreme Duty Adjustable Mount***

As a leading innovator in the Machine Vision Industry, CEI is proud to add to our new line of Machine Vision Camera Enclosures, Cables, and Accessories for demanding vision applications.

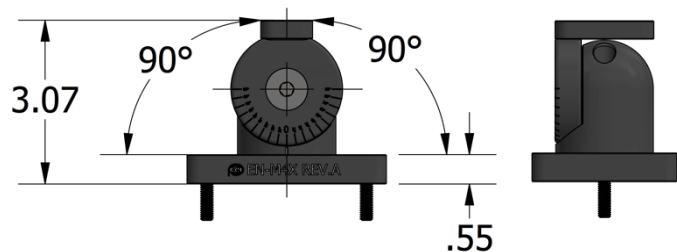
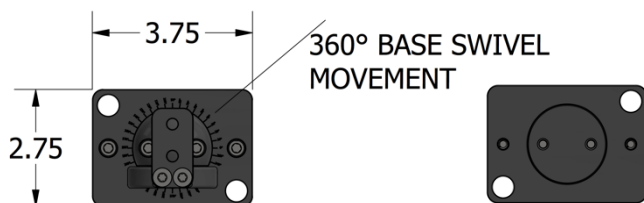
### **EN-M4X Extreme Duty Adjustable Camera Mount**

- CEI part number: EN-M4X
- Supports 360° rotation, 180° tilting
- Index marks for quick repeatable setups
- Strong taper-style tilt lock
- Lightweight low-profile design
- Type 2 anodizing
- Competitive pricing
- Made in USA, Patent Pending

Contact CEI for Application and Configuration Details.



**EN-M4X Mount** shown with  
CEI 88mm IP67 Round Enclosure



Call Components Express, Inc. at 630-257-0605 for Ordering Information.

EN-M4X - Rev A