



"To be seen as a Total Solution Provider for demanding connectivity, enclosure and mounting technology in the Vision and Industrial Automation Ecosystem. Components and Systems that Connect-Protect and Mount enabling deployment of automation"

PRODUCT CHANGE NOTICE

Date: April 29, 2022

Product Type: NANO Cables

Supporting: TELEDYNE DALSA – GENIE NANO CAMERAS

Affected CEI Part Numbers:

CC C1651-XXM, CC C1652-XXM, CC C1677-XXM, CC C1678-XXM, CC C1958-XXM, CC C1960-XXM

Reason / Explanation of Change:

As Teledyne has introduced a new version of the Nano camera, CEI has updated the Nano cables, previous part numbers are: **CC C1651-XXM, CC C1652-XXM, CC C1677-XXM, CC C1678-XXM, CC C1958-XXM and CC C1960-XXM** to the newer versions (see table below) NANO-5G-XXM.

The new version is backwards compatible with all of the old and existing camera models. It includes an additional conductor and a floating drain.

Customers can still purchase the old part numbers, (see table) however we will be using the new blue cable for this assembly and maintaining the old pinout (prints attached). Please note, this will be a new revision as the raw cable has changed. We highly recommend that you switch to the newer version for all of your assemblies so that you do not need to carry both part numbers.

Please feel free to contact CEI or Teledyne if you have any questions.

NEW Cables: NANO-5G-XXM

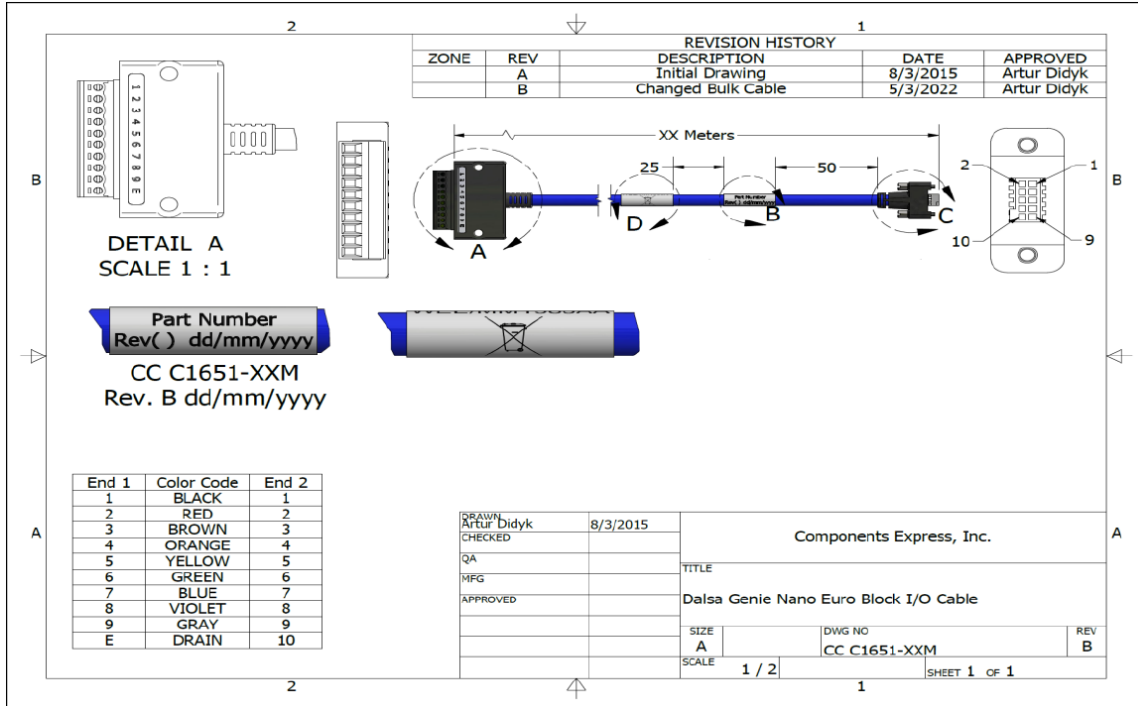
Old Part Number	Nano-5GigE Cables Part Numbers	Description	Page
CC C1651-XXM	NANO-5G-XXM-TB	Straight to Euro Block	2
CC C1652-XXM	NANO-5G-XXM	Straight to Flying Leads	3
CC C1677-XXM	NANO-5G-RL-XXM	R/A Left to Flying Leads	4
CC C1678-XXM	NANO-5G-RLT-XXM	R/A Left to Euro Block	5
CC C1958-XXM	NANO-5G-RD-XXM	R/A Down to Flying Leads	6
CC C1960-XXM	Will not plug in to the camera due to cooling fins	R/A Up To Flying Leads	7

We welcome you to visit our Nano product page in our OEM section of our website, [click here](#).

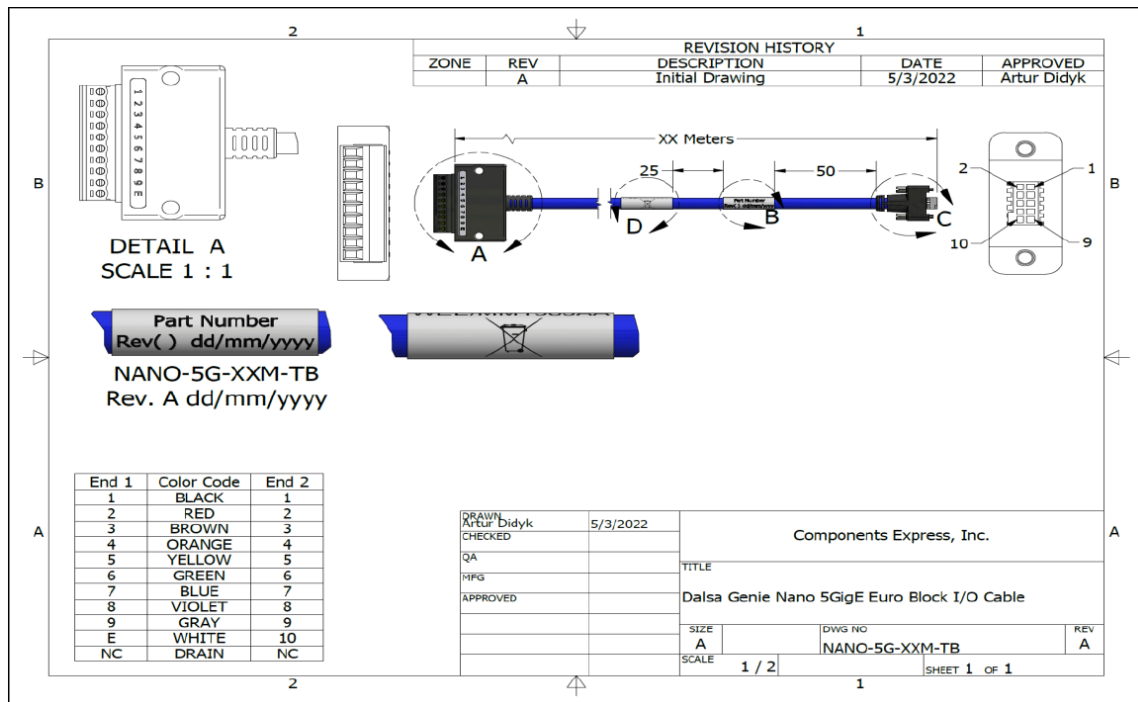


"To be seen as a Total Solution Provider for demanding connectivity, enclosure and mounting technology in the Vision and Industrial Automation Ecosystem. Components and Systems that Connect-Protect and Mount enabling deployment of automation"

Updated **Old** version P/N: CC C1651-XXM (Dalsa Genie Nano – Euro Block I/O Cable)



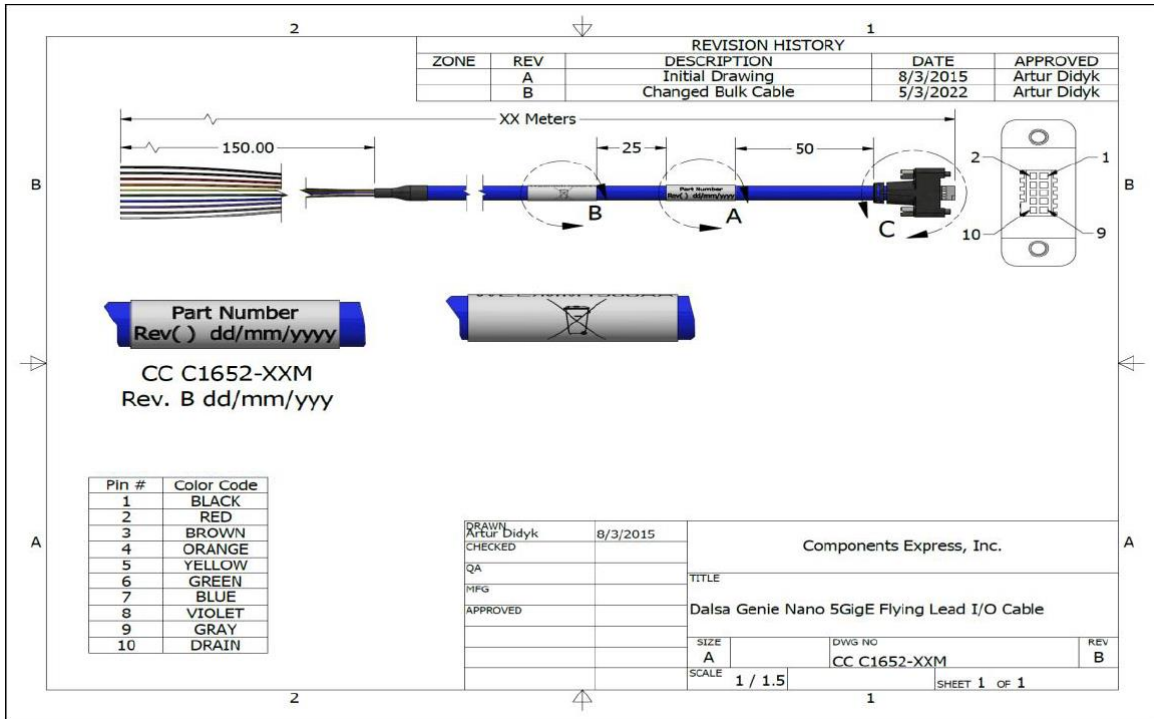
New P/N: NANO-5G-XXM-TB (Dalsa Genie Nano 5G – Euro Block I/O Cable)



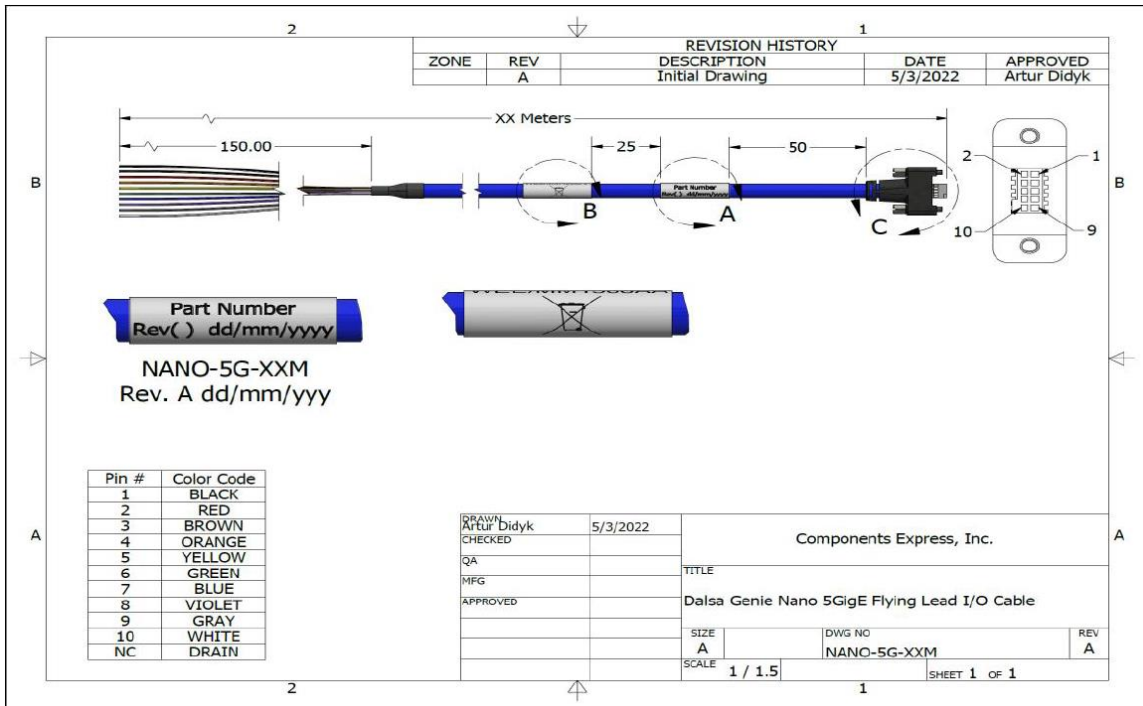


"To be seen as a Total Solution Provider for demanding connectivity, enclosure and mounting technology in the Vision and Industrial Automation Ecosystem. Components and Systems that Connect-Protect and Mount enabling deployment of automation"

Updated **Old** version P/N: CC C1652-XXM (Dalsa Genie Nano – Flying Leads I/O Cable)



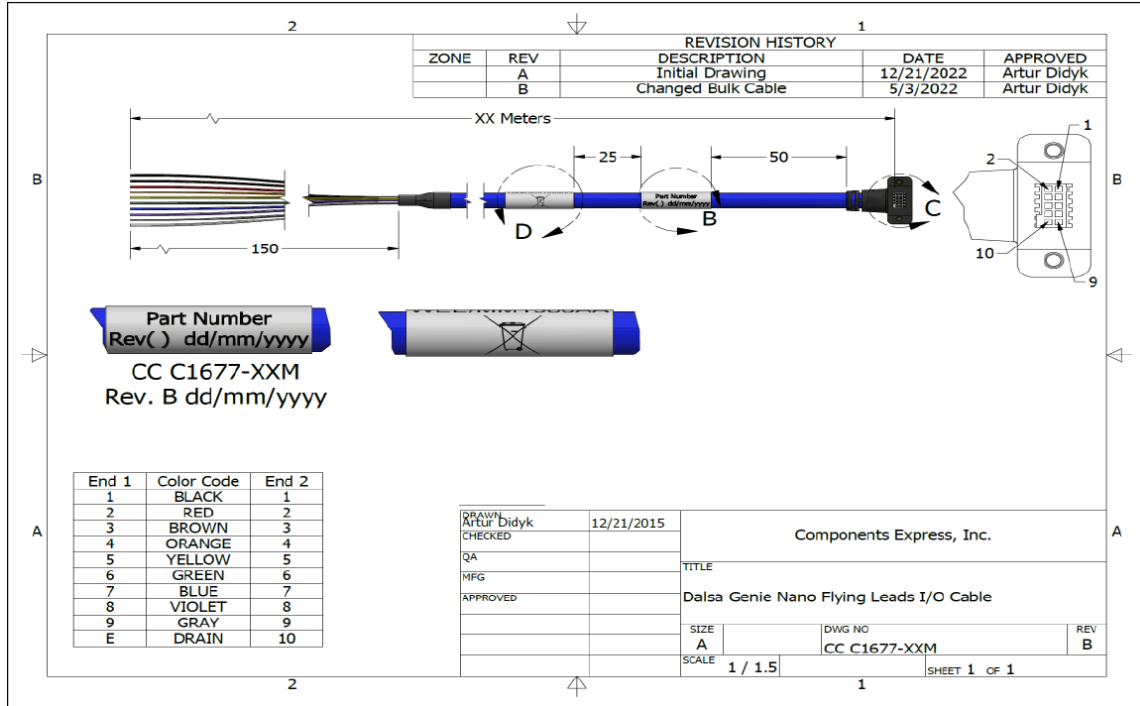
New P/N: NANO-5G-XXM (Dalsa Genie Nano 5G – Flying Leads I/O Cable)



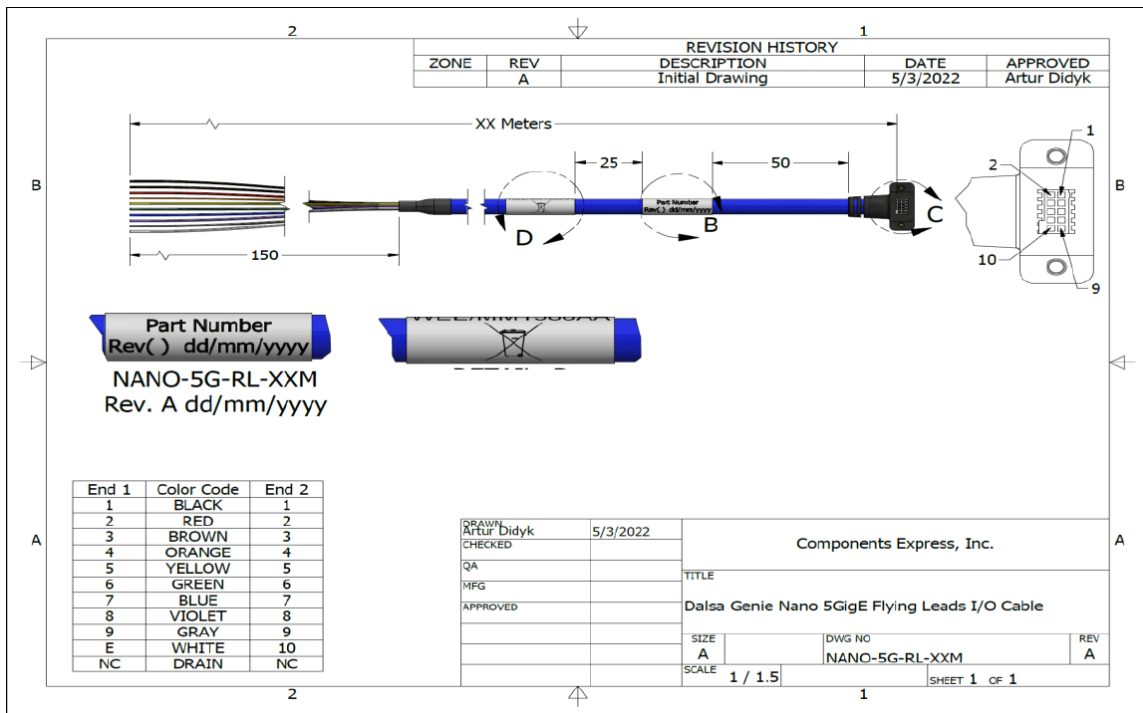


"To be seen as a Total Solution Provider for demanding connectivity, enclosure and mounting technology in the Vision and Industrial Automation Ecosystem. Components and Systems that Connect-Protect and Mount enabling deployment of automation"

Updated **Old** version P/N: CC C1677-XXM (Dalsa Genie Nano – Flying Leads I/O Cable)



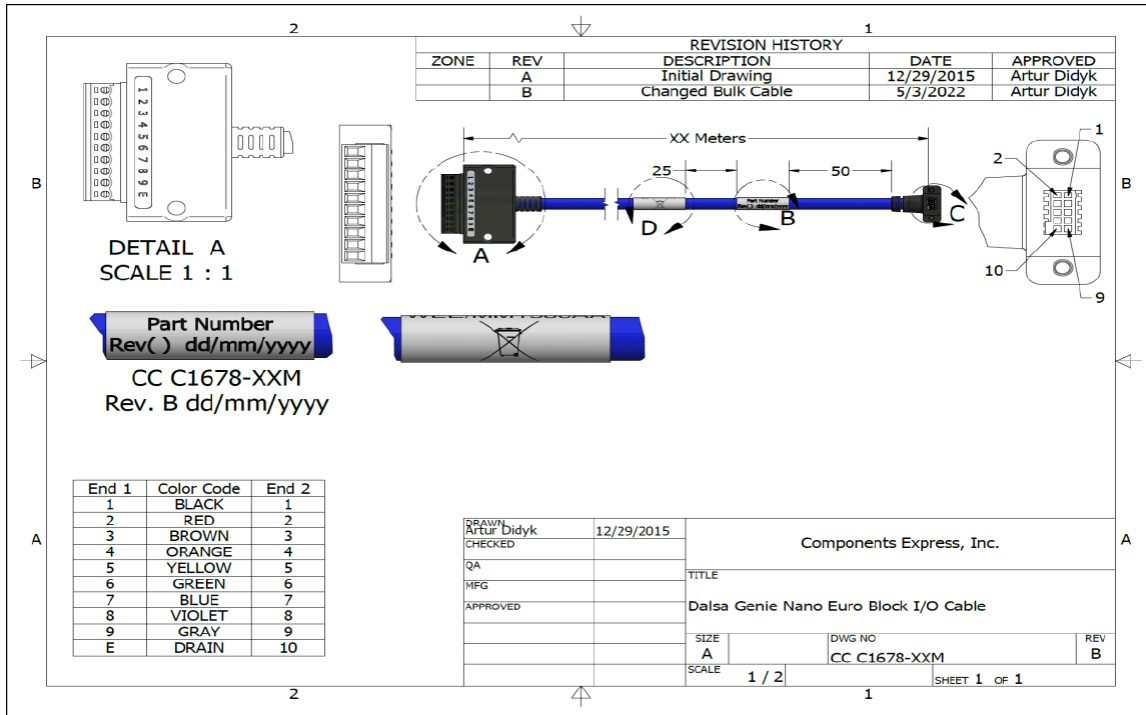
New P/N: NANO-5G-RL-XXM (Dalsa Genie Nano 5G – Flying Leads I/O Cable)



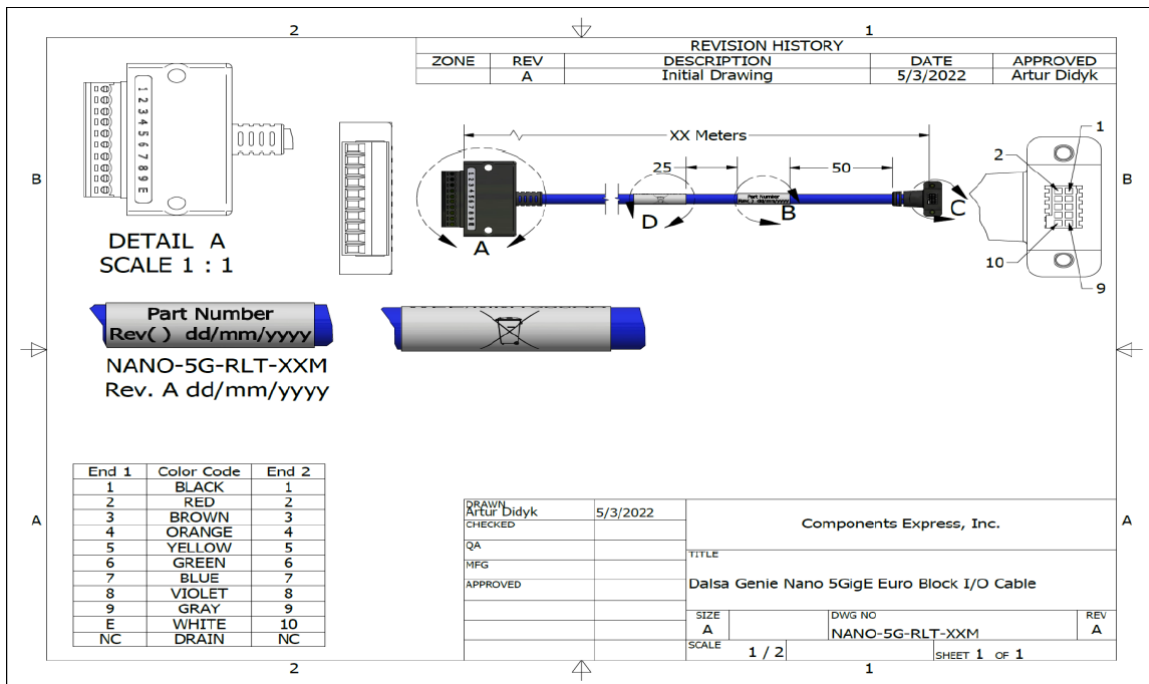


"To be seen as a Total Solution Provider for demanding connectivity, enclosure and mounting technology in the Vision and Industrial Automation Ecosystem. Components and Systems that Connect-Protect and Mount enabling deployment of automation"

Updated **Old** version P/N: CC C1678-XXM (Dalsa Genie Nano – Euro Block I/O Cable)



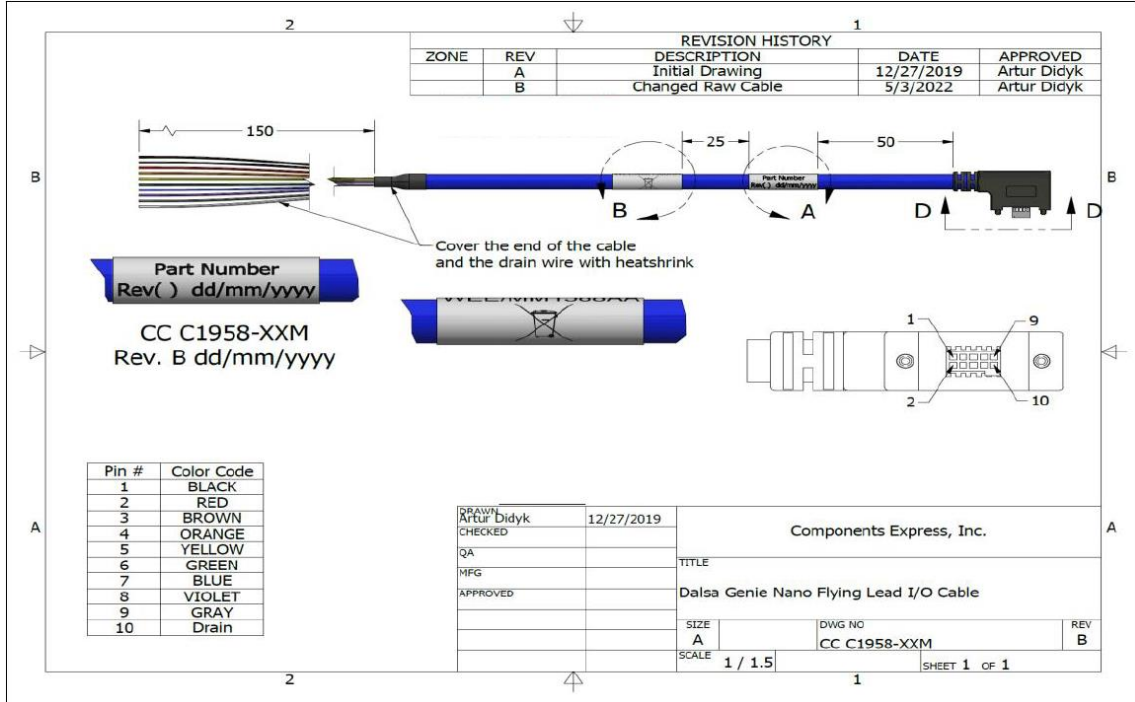
New P/N: NANO-5G-RLT-XXM (Dalsa Genie Nano 5G – Euro Block I/O Cable)



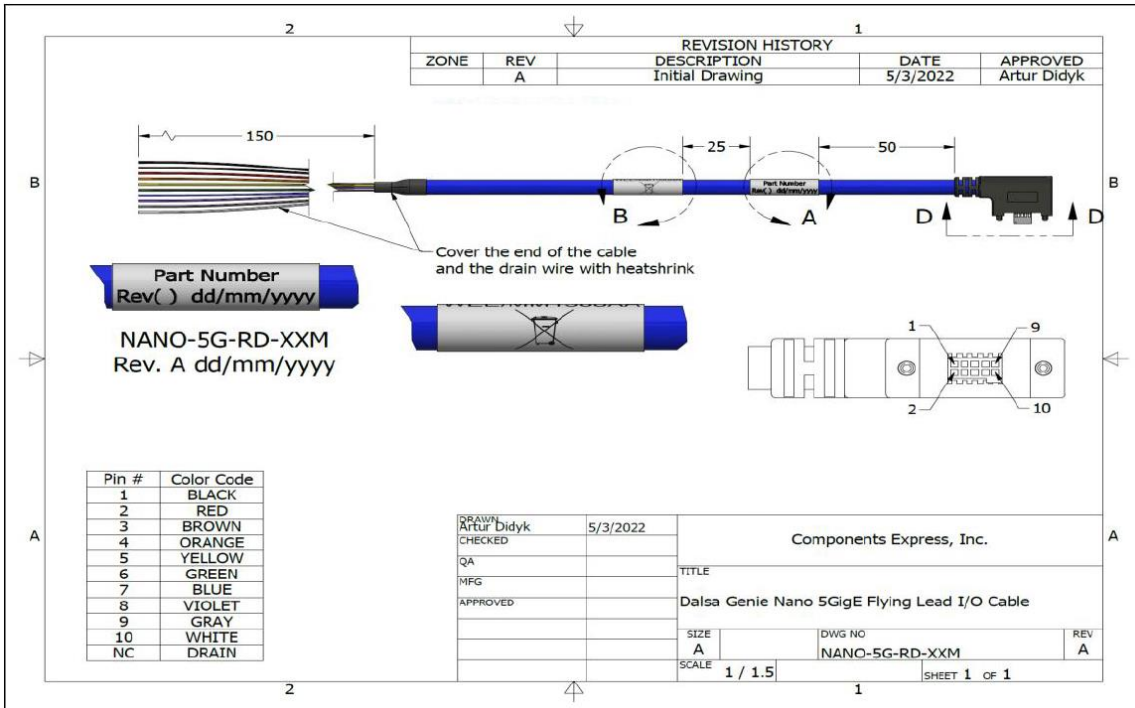


"To be seen as a Total Solution Provider for demanding connectivity, enclosure and mounting technology in the Vision and Industrial Automation Ecosystem. Components and Systems that Connect-Protect and Mount enabling deployment of automation"

Updated **Old** version P/N: CC C1958-XXM (Dalsa Genie Nano – Flying Leads I/O Cable)



New P/N: NANO-5G-RD-XXM (Dalsa Genie Nano 5G – Flying Leads I/O Cable)





"To be seen as a Total Solution Provider for demanding connectivity, enclosure and mounting technology in the Vision and Industrial Automation Ecosystem. Components and Systems that Connect-Protect and Mount enabling deployment of automation"

Updated **Old** version P/N: CC C1960-XXM (Dalsa Genie Nano – Flying Leads I/O Cable)

