



Scan QR to view  
Assembly video

## Light Bracket for Matrox® Iris GTR

As a leading innovator in the Machine Vision Industry, CEI is proud to introduce our new line of Machine Vision light brackets for demanding vision applications.

### Matrox® Iris GTR Light Bracket Key Features

- Focusing & optics removal without disassembly
- Easy-open flip-up design
- Excellent heat dissipation
- Wide range of lighting positions and angles
- Works with a wide range of Smart Vision Lights® & Optics
- Easily adjustable for different optics and lighting
- Optional IP67 Lens covers with windows or filters
- Optional mounting adapter supports Swivellink®
- Lightweight aluminum construction
- Type 2 anodizing
- Made in USA



Shown with optional Lens cover and Swivellink® mount adapter. Vision system not included.

### Light Bracket Specs\*

**CEI Part Number: E-GTR-LB**

CEI Design Variation: Flip Style

Camera: Matrox® Iris GTR Smart Camera Series

Supported Lights: See appendix table "A"

Material: 6061 Aluminum

Coating: Type 2 anodized

### Length:

- Extended: 110 mm (Light bracket only)  
151 mm (with Camera & Light Plate)
- Retracted: 25 mm (Light bracket only)  
66 mm (with Camera & Light Plate)

Light Plate Dimensions: 120.65 mm x 85.73 mm

Light Plate Thru-hole Dimension: 48mm Dia.

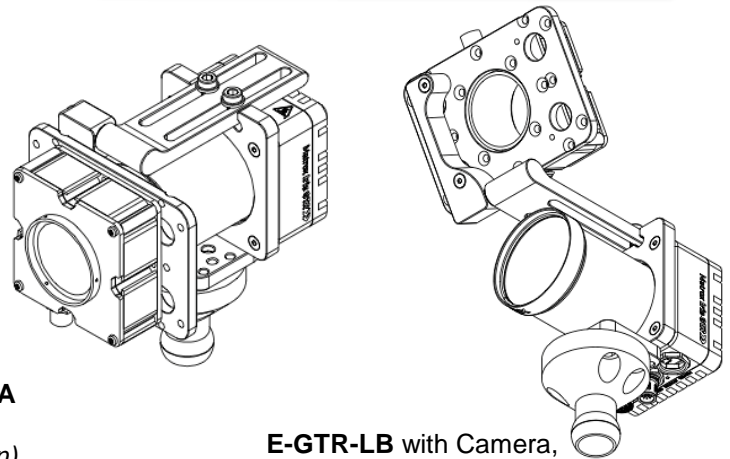
Optional Lens Cover: CEI part#: **EN-DC55-xx**

Optional Swivellink® Mount Adapter: CEI part#: **EN-SL-A**

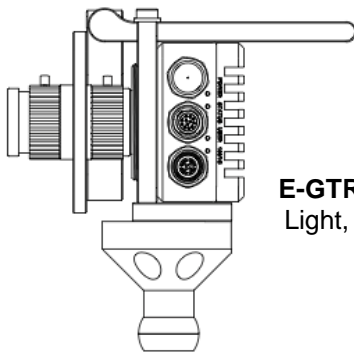
(Lens cover and mount adapter not included, must be Ordered separately Contact CEI for ordering information)

\*Camera, Optics, Lights, and Mount dealer supplied

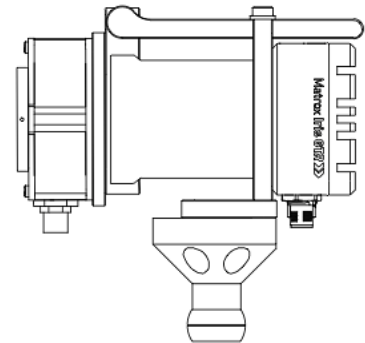
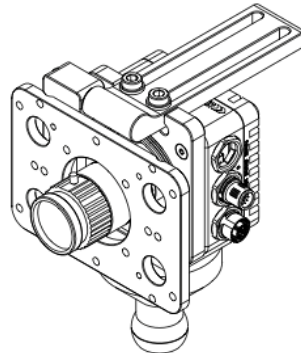
### E-GTR-LB Light Bracket Kit



**E-GTR-LB with Camera,  
Light, IP67 Lens Cover,  
Mount Adapter, & mount.**



**E-GTR-LB with Camera,  
Light, Mount Adapter, &  
mount.**

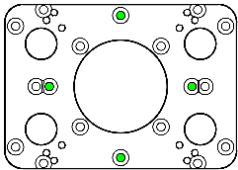
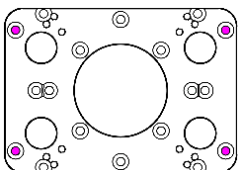
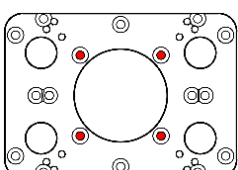
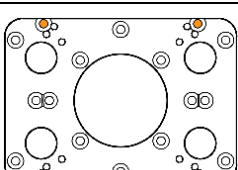
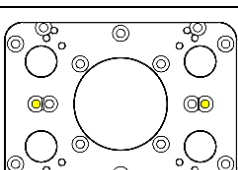
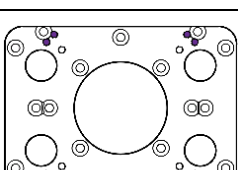
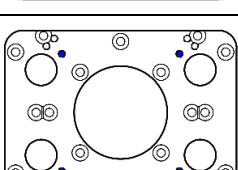


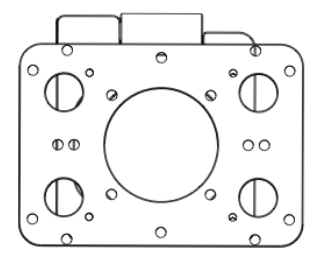
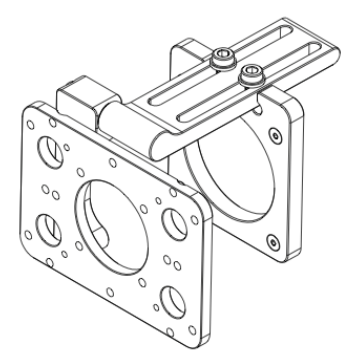
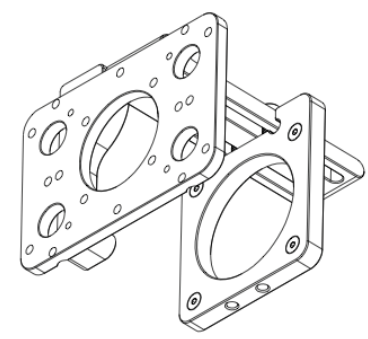
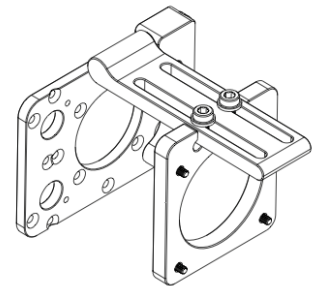
**CEI part number: E-GTR-LB**

**Table "A" - Supported Lights**

Smart Vision Lights® Model	Diameter
RC130	130mm
R80	80 mm
R130	130mm
RD80	80mm
RD130	130mm
RCC130	130mm
RM75 & RMX75	75 mm
RM140 & RMX140	140 mm
S75	N/A



	R80
	R130
	RM75
	RM140
	RMX140
	S75
	BRACKET MOUNT



PART NUMBER	DESCRIPTION		
E-GTR-LB	IP67 GTR flip light bracket W/ Light Plate (does not include lens cap or mounting adapter)		
	<b>Accessories</b>	<b>COLOR</b>	<b>FILTER</b>
EN-DC55-30	Lens cover for Matrox® Iris GTR, 55mm O.D., 30mm length	Clear	LP286
EN-DC55-40	Lens cover for Matrox® Iris GTR, 55mm O.D., 40mm length	Clear	LP286
EN-DC55-50	Lens cover for Matrox® Iris GTR, 55mm O.D., 50mm length	Clear	LP286
EN-DC55-55	Lens cover for Matrox® Iris GTR, 55mm O.D., 55mm length	Clear	LP286
EN-DC55-55R	Lens cover for Matrox® Iris GTR, 55mm O.D., 55mm length	Red	BP635
EN-DC55-55B	Lens cover for Matrox® Iris GTR, 55mm O.D., 55mm length	Blue	BP470
EN-DC55-55O	Lens cover for Matrox® Iris GTR, 55mm O.D., 55mm length	Orange	BP590
EN-DC55-55NIR	Lens cover for Matrox® Iris GTR, 55mm O.D., 55mm length	VIS Bandpass/UV/ NIR Block	SP700
EN-DC55-55BP	Lens cover for Matrox® Iris GTR, 55mm O.D., 55mm length	Near IR bandpass	BP850
EN-DC55-60	Lens cover for Matrox® Iris GTR, 55mm O.D., 60mm length	Clear	LP286
EN-DC55-70	Lens cover for Matrox® Iris GTR, 55mm O.D., 70mm length	Clear	LP286
EN-DC55-75	Lens cover for Matrox® Iris GTR, 55mm O.D., 75mm length	Clear	LP286
EN-DC55-80	Lens cover for Matrox® Iris GTR, 55mm O.D., 80mm length	Clear	LP286
EN-DC55-90	Lens cover for Matrox® Iris GTR, 55mm O.D., 90mm length	Clear	LP286
EN-DC55-A-100	Lens cover for Matrox® Iris GTR, 55mm O.D., 100mm length	Clear	LP286
GMLC-75-PW	Disposable Protective Window for EN-DC55 covers	Clear	Borofloat
EN-DC55-25-XR	Extension Ring for EN-DC55-XX, 25mm long	N/A	N/A
EN-SL-A	Swivellink® mount adapter, fits SLM-1 and ASFB-1	N/A	N/A