



COMPONENTS EXPRESS, INC.
INDUSTRY LEADING PERFORMANCE

10330 Argonne Woods Drive, Suite 100 • Woodridge, IL 60517

Tel 630-257-0605 / 800-578-6695 (outside Illinois) Fax 630-257-0603

CEI Machine Vision Camera Enclosure Adjustable Mount

As a leading innovator in the Machine Vision Industry, CEI is proud to introduce our new line of Machine Vision Camera Enclosures, Cables, and Accessories for demanding vision applications.

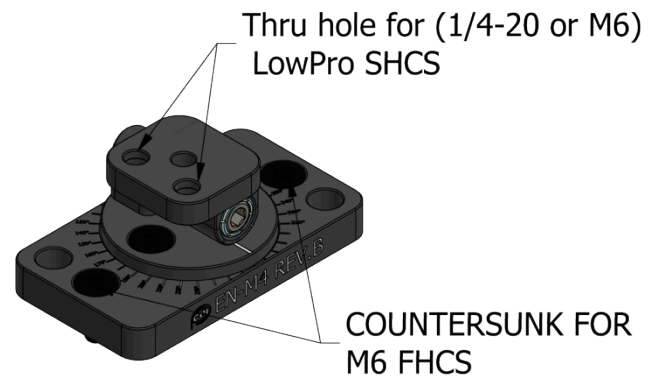
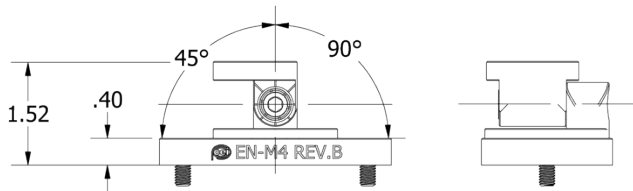
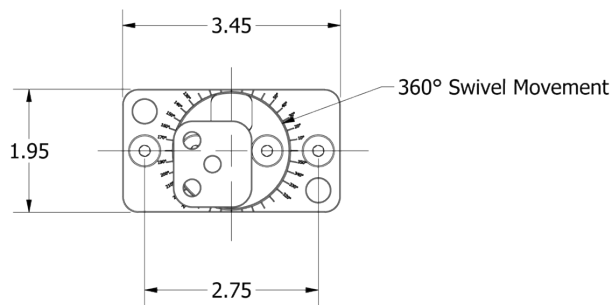
EN-M4 Adjustable Camera Mount

- CEI part number: EN-M4
- Supports 360° rotation, 90° tilting
- Index marks for quick repeatable setups
- Strong collet-style tilt lock
- Lightweight low-profile design
- Type 2 anodizing
- Competitive pricing
- Made in USA, Patent Pending

Contact CEI for Application and Configuration Details.



EN-M4 Mount shown with
CEI 55mm IP67 Round Enclosure



Call Components Express, Inc. at 630-257-0605 for Ordering Information.

IEN-M4 - Rev B