

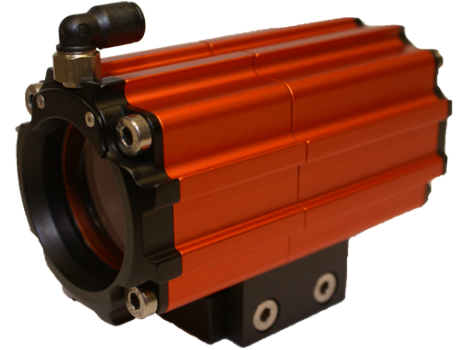


## Machine Vision Camera Enclosure IP67 Nano (Extruded) Series

As a leading innovator in the Machine Vision Industry, CEI is proud to introduce our new line of Machine Vision Camera Enclosures, Cables, and Accessories for demanding vision applications.

### IP67 Nano (Extruded) Series Camera Enclosure Key Features

- CEI Integrated Connector Design ( no cord grips )
- IP67 protection
- Design for Dalsa Genie Nano and other popular camera models
- Excellent heat dissipation
- Allows changing and focusing Optics while mounted
- Flexible mounting options
- High quality (easy to replace) windows by Midwest Optical
- Lightweight low-profile design
- Type 2 anodizing
- Options: Mounts, Visors, Air Curtains, Windows & Filters
- Options: Custom Sizes, lengths, Cables
- Options: Complete Solutions (Camera, Enclosure, Cabling)
- Competitive pricing
- Made in USA, Patent Pending



### Enclosure Specs (See Appendix "A" for part numbers)

*Camera:* Dalsa Genie Nano & Other Machine Vision

*Optics:* Supports a wide range of C-Mount optics

*Window:* Midwest Optical – AR coated

*Interface Connector:* M12 X-Code Ethernet

*Optional Interface Connector:* M12 12 pin male

*Mounting:* 2 x 1/4"-20, SLM-1 pattern with adapter

*Sealing:* IP67

*Material:* 6063 Aluminum

*Coating:* Type 2 anodized

*Length:* 133 mm (with Lens Cover and M12 connector.)

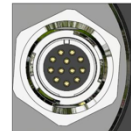
*Height / Width:* 66 mm square

*Window Diameter:* 42 mm

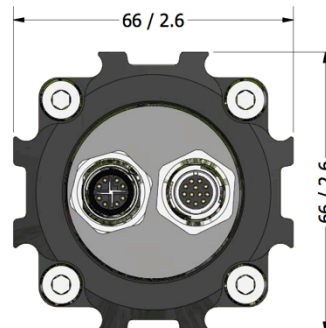
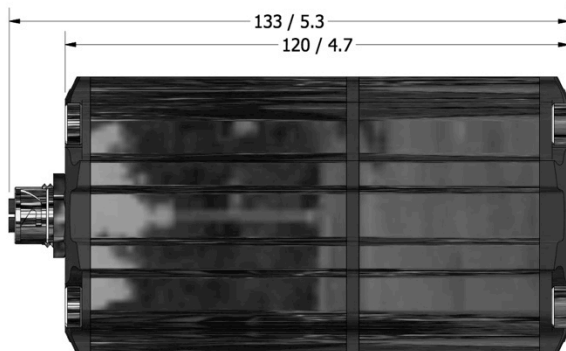
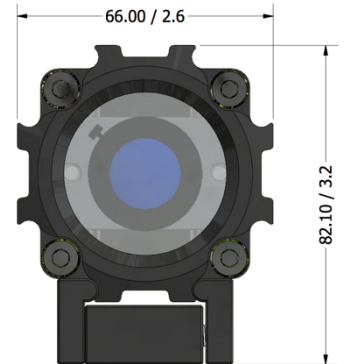
*Weight:* 880 g (typical weight fully assembled W/ Camera)



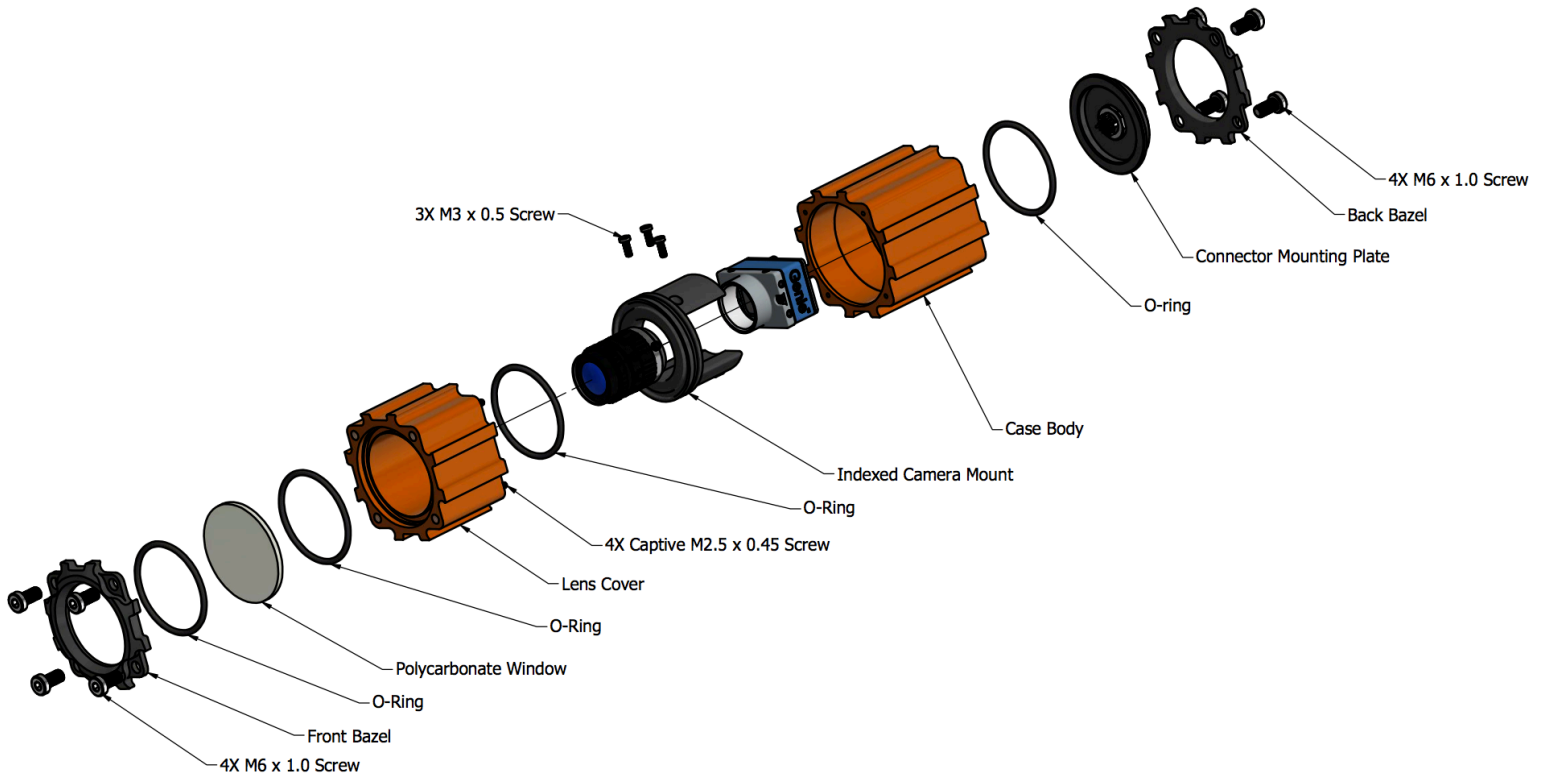
Data Connector  
M12 X-Coded Female  
IP67 When Mated



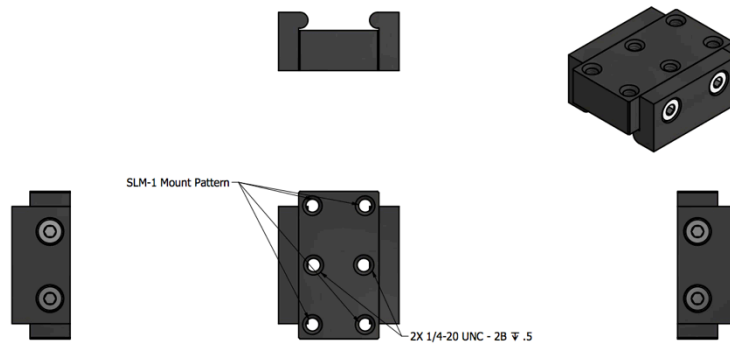
I/O Connector (Optional)  
M12 12 Pin Male  
IP67 When Mated



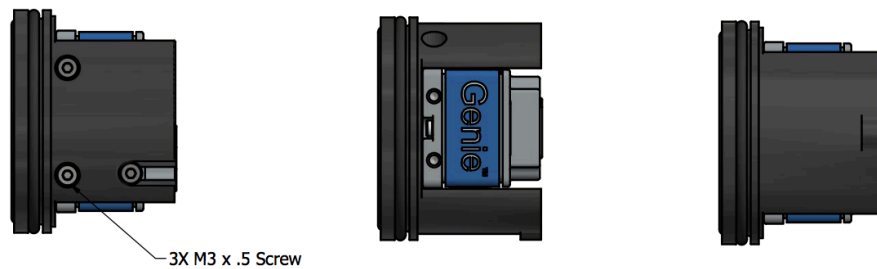
## CEI IP67 Nano Series - Assembly View



### 2x 1/4-20 and SLM-1 Pattern Mounting Adapter (P/N: EN-E1-M2)

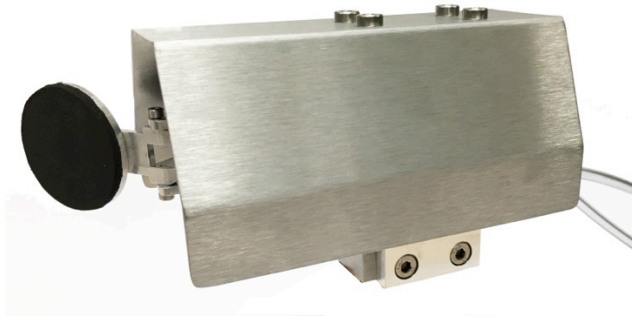


### Internal Camera Mounting System

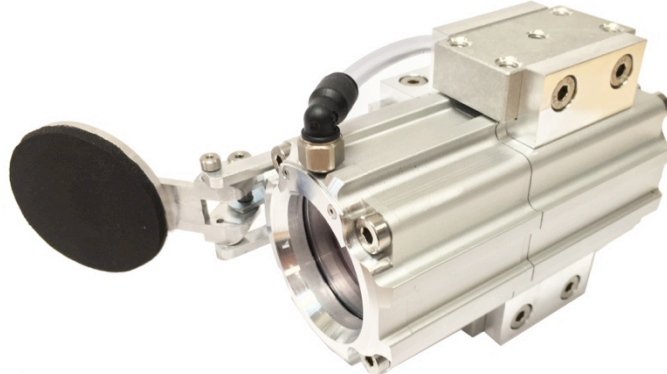


Call Components Express, Inc. at 630-257-0605 for Ordering Information.

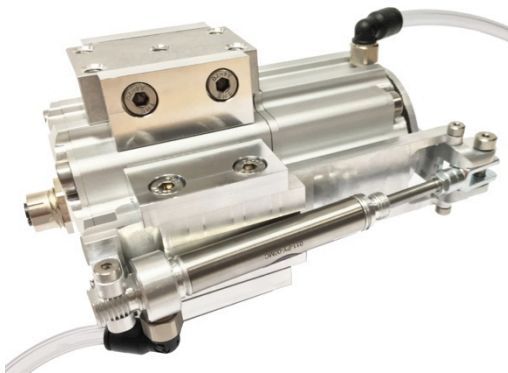
## Available Options



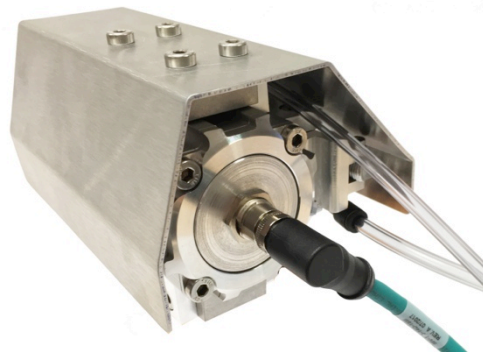
**Visor / Dust Cover (P/N: EN-E1-SS)**



**Window Air-Curtain (P/N: EN-E1-AC)**



**Pneumatic Window Cover (P/N: EN-E1-PS)**



**Right Angle M12 X-Code Cables**

**Call Components Express, Inc. at 630-257-0605 for Ordering Information.**

## Appendix “A” CEI IP67 Nano Series:

Part Number	Description
<b>GENIE NANO ENCLOSURE ONLY - LENS COVER AND MOUNT REQUIRED</b>	
EN-GN	GENIE NANO ENCLOSURE
EN-GNI	GENIE NANO ENCLOSURE WITH I/O
EN-E1-02	BODY STYLE 02 - FITS SENTECH MODEL STC-SCS500POE
EN-E1-01-I	BODY STYLE 01-I - FITS FLIR BLACKFLY-S - WITH IO
<b>EN-GN TYPE LENS COVER ONLY 44MM DIA. W/ BOROSILICATE WINDOW - ENCLOSURE AND MOUNT REQUIRED</b>	
EN-E1-LC-30	Lens cover for EN-GN enclosure, 30mm length, borosilicate window
EN-E1-LC-40	Lens cover for EN-GN enclosure, 40mm length, borosilicate window
EN-E1-LC-42	Lens cover for EN-GN enclosure, 42mm length, borosilicate window
EN-E1-LC-50	Lens cover for EN-GN enclosure, 50mm length, borosilicate window
EN-E1-LC-60	Lens cover for EN-GN enclosure, 60mm length, borosilicate window
EN-E1-LC-70	Lens cover for EN-GN enclosure, 70mm length, borosilicate window
<b>EN-GN TYPE LENS COVER ONLY 44MM DIAMETER W/ ACRYLIC WINDOW - ENCLOSURE AND MOUNT REQUIRED</b>	
EN-E1-LC-30A	Lens cover for EN-GN enclosure, 30mm length, acrylic window
EN-E1-LC-40A	Lens cover for EN-GN enclosure, 40mm length, acrylic window
EN-E1-LC-42A	Lens cover for EN-GN enclosure, 42mm length, acrylic window
EN-E1-LC-50A	Lens cover for EN-GN enclosure, 50mm length, acrylic window
EN-E1-LC-60A	Lens cover for EN-GN enclosure, 60mm length, acrylic window
EN-E1-LC-70A	Lens cover for EN-GN enclosure, 70mm length, acrylic window
<b>ACCESSORIES</b>	
EN-E1-PS	EXTRUSION 1 PNEUMATIC SHUTTER
EN-E1-AC	EXTRUSION 1 AIR CURTAIN FOR GENIE NANO
EN-E1-M1	EXTRUSION 1 MOUNT FOR 1/4 - 20 , METRIC M6 SWIVEL LINK SLM-1
EN-E1-M2	EXTRUSION 1 MOUNT FOR 1/4 - 20, METRIC M5 SWIVEL LINK SLM-1
EN-E1-SS	EXTRUSION 1 DUST COVER FOR PNEUMATIC SHUTTER 150MM W MOUNT