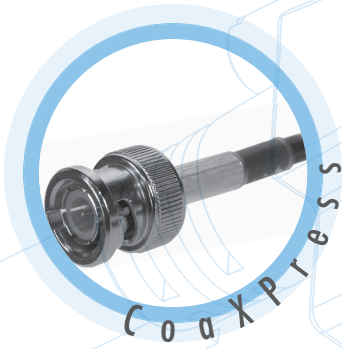


CoaXPress CABLES

NEXT GENERATION DIGITAL INTERFACE



PART NUMBER REFERENCE



Select Connector Type: End "A"

- BNC = 1
- 5W5 = 2
- DIN 1.0/2.3 = 3

Use "0" for Non-molded
Multiple DIN 1.0/2.3 ONLY

Quantity of Connectors:

0*, 1, 2, 3, 4, or 5
(See page 39 for DIN Configurations:
Types 41, 4, 22, 21, 2, 1 & 34R)

** Cable Type Options:

- Miniature Coax = 1
- HIFLEX RG59 = 2
- RG6 = 3

Select Connector Type: End "B"

- BNC = 1
- 5W5 = 2
- DIN 1.0/2.3 = 3

Use "0" for Non-molded
Multiple DIN 1.0/2.3 ONLY

Quantity of Connectors:

0*, 1, 2, 3, 4, or 5
(See page 39 for DIN Configurations:
Types 41, 4, 22, 21, 2, 1 & 34R)

Option: Length in Meters

* For use with 5W5 connector only.

**Reflects cable style used, see specification sheet for dimensional information per configuration.

REV. C

