

REVISION HISTORY				
ZONE	REV	DESCRIPTION	DATE	APPROVED
	A	Initial Release	10/10/2006	BT
	A	Added Labels	8/3/2015	SC
	A	Changed Labels	9/2/2015	SC

MV-1-X-3-XX
 X= Cable type
 XX= Length in Meters



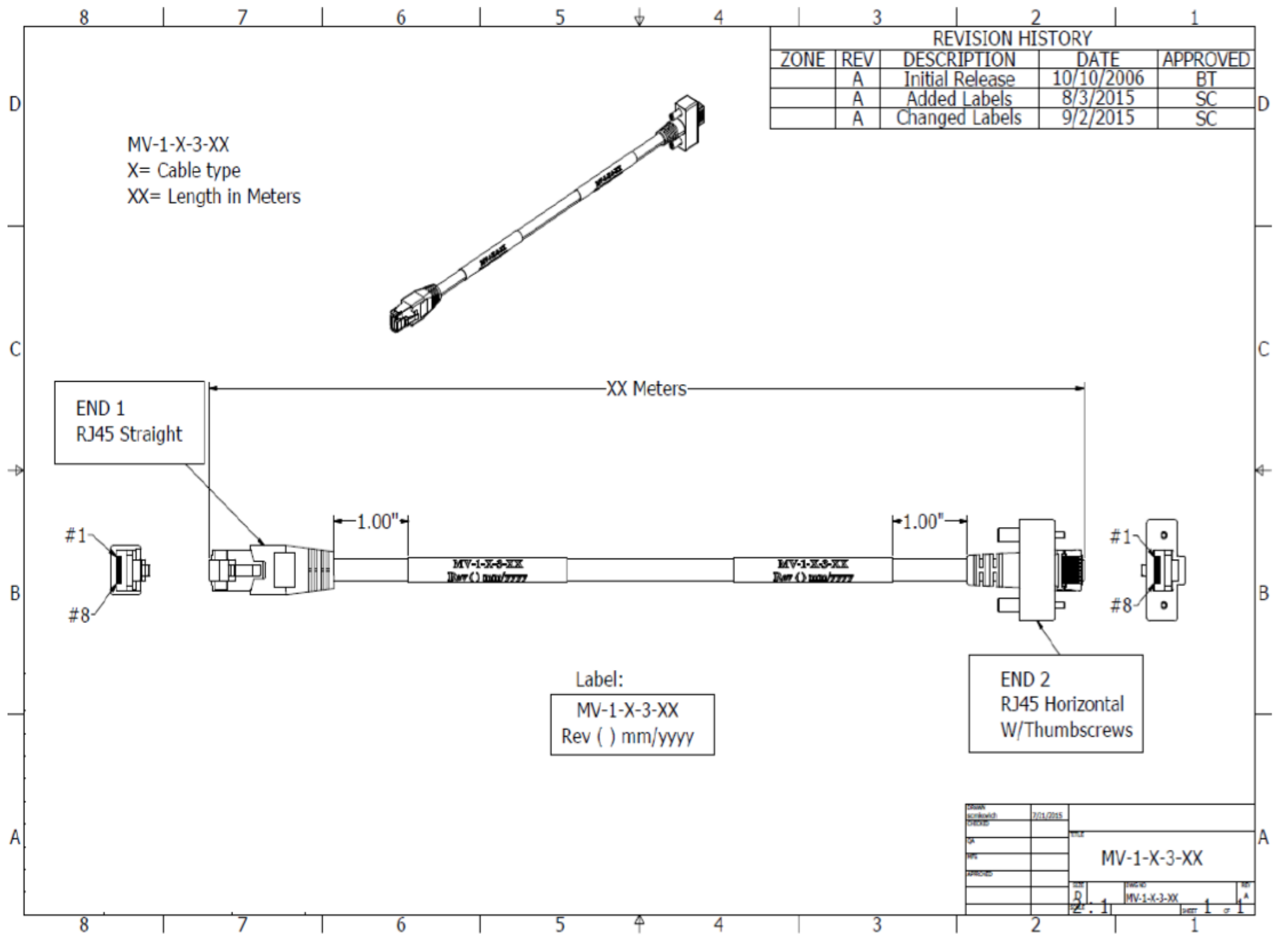
END 1
 RJ45 Straight

XX Meters

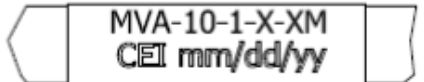
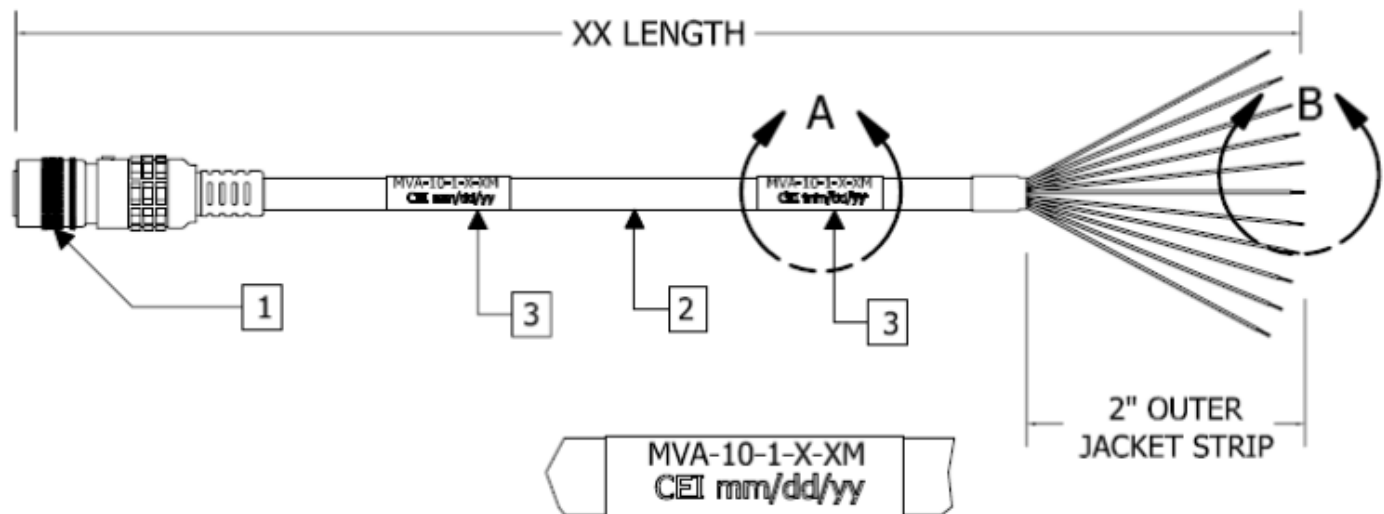
END 2
 RJ45 Horizontal
 W/Thumbscrews

Label:
 MV-1-X-3-XX
 Rev () mm/yyyy

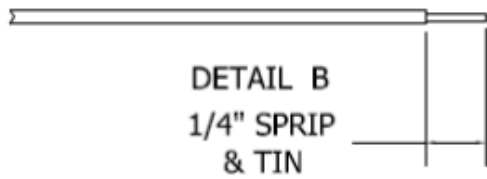
Drawn	7/1/2015		
Checked			
QA			
Rev			
Approved			
		MV-1-X-3-XX	
Doc ID	2-11	Part No	MV-1-X-3-XX
		Rev	1 of 1



REVISION HISTORY				
ZONE	REV	DESCRIPTION	DATE	APPROVED
1	A	Initial release	12/19/09	BT



DETAIL A
SCALE 2 : 1



DETAIL B
1/4" SPRIP
& TIN

End 1	Color Code
1	BLACK
2	ORANGE
3	YELLOW
4	BROWN
5	BLUE
6	LT GREEN
7	GREEN
8	PINK
9	VIOLET
10	WHITE
11	GRAY
12	RED
HSG	SHIELD

TITLE			
TITLE MVA-10-1-X-XM			
SIZE	DWG NO	REV	
SCALE	SHEET 1 OF 1		