

# ANALOG CABLES

## PART NUMBER REFERENCE



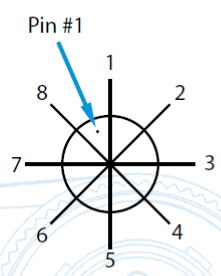
### Select Connector Type: 1-8 End "1"

Gender, Body and Pin Count

### Connector Orientation:

See example at right

- Straight = 0
- Right Angle 360° = 1
- Right Angle 45° = 2
- Right Angle 90° = 3
- Right Angle 135° = 4
- Right Angle 180° = 5
- Right Angle 225° = 6
- Right Angle 270° = 7
- Right Angle 315° = 8



Example: Right Angle orientation #3 (90°)



### Select Cable Type:

- 24 AWG x 12C (I/O) = 1 \*
- ULTRAFLEX (Video) = 2 \*
- 28 AWG x 6C (I/O) = 3 \*
- 26 AWG x 8C (I/O) = 4 \*
- 26 AWG x 6P (I/O) = 5 \*
- C-Track / Robotic

### Select Connector Type: 1-8 End "2"

Gender, Body, and Pin Count

X on End "2" denotes flying leads

### Option: Length in Meters

#### NOTES:

- \*X End option for step #: 4 denotes flying leads for cable.
- \*Cable type #: 1, is ONLY available for connectors #: 1-4, going to Flying Leads (X)
- \*Cable type #: 2, is ONLY available for connectors #: 1-4.
- \*Cable type #: 3, is ONLY available for connectors #: 5, 6 & Flying Leads (X).
- \*Cable type #: 4, is ONLY available for connectors #: 7, 8 & Flying Leads (X).
- \*Cable type #: 5, is ONLY available for connectors #: 1-4 & Flying Leads (X).
- \*Customer specified pin-out / color code for configurations going to Flying Leads
- \*Step #: 2, Right Angle options are NOT available for connectors #: 3 & 4.
- \*Step #: 2, Right Angle options for connectors #: 7 & 8 are 1, 3, 5, 7.
- \*Connector P/N is for reference only.

#### PHYSICAL:

- Cable Color: Black
- Shell Color: Black
- Shell Construction: Pre-molded in Polyethylene, fully shielded, over-molded in black PVC.
- Cable Construction: Mini Coaxial lines plus discrete wires for all standard RGB, HD and VD applications.

Temp: 11-18-19

## CONNECTOR TYPE OPTIONS:

1



12 Pin Female Plug  
HR10A-10P-12S\*

2



12 Pin Male Plug  
HR10A-10P-12P\*

3



12 Pin Female Jack  
HR10A-10J-12S\*

4



12 Pin Male Jack  
HR10A-10J-12P\*

5



6 Pin Female Plug  
HR10A-7P-6S\*

6



6 Pin Male Plug  
HR10A-7P-6P\*

7



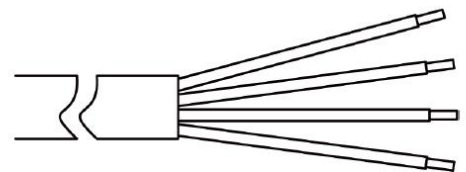
8 Pin Female Plug  
HR25-7TP-8S\*

8



8 Pin Male Plug  
HR25-7TP-8P\*

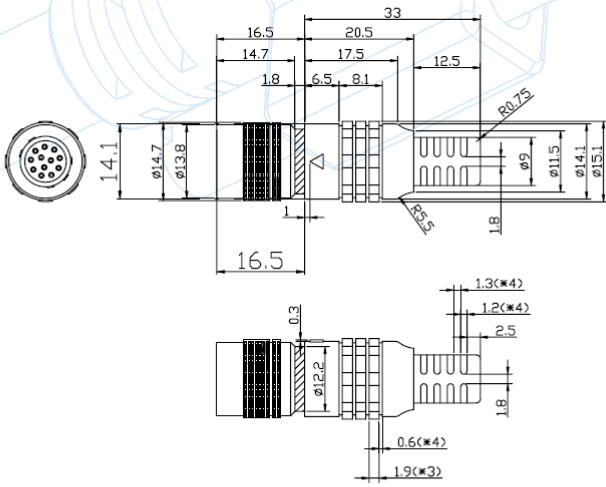
X



Flying Leads  
for End "2"

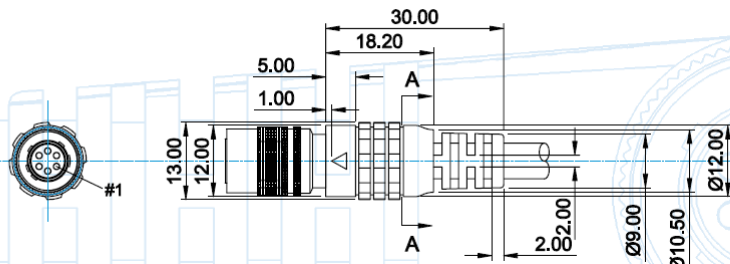
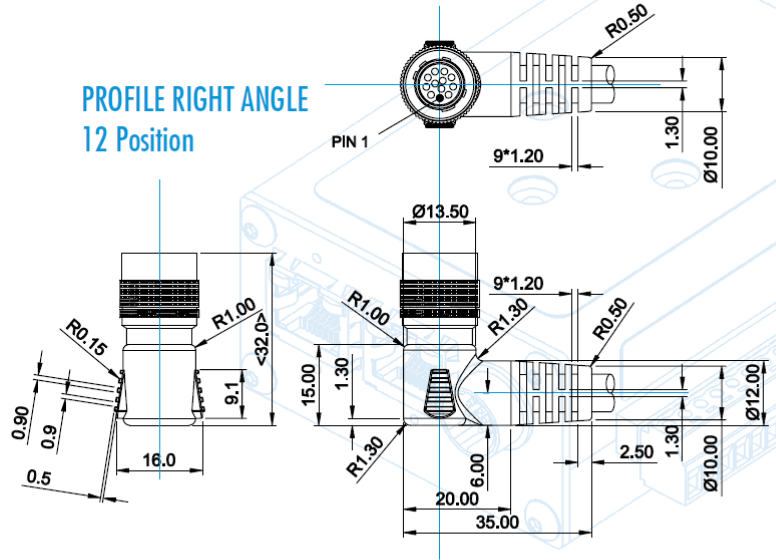
\* Connector P/N is for reference only.

Temp:  
11-18-19

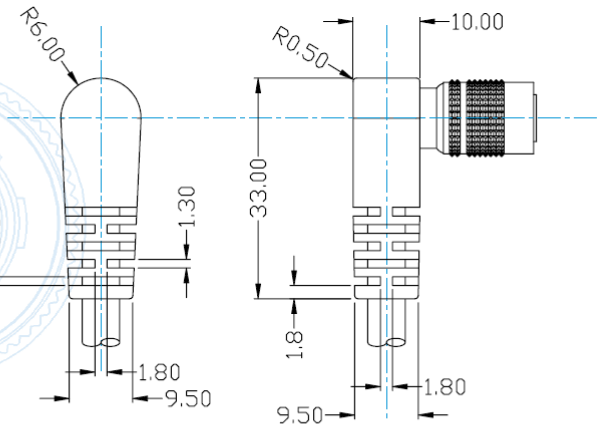


PROFILE 1, 2, 3 & 4

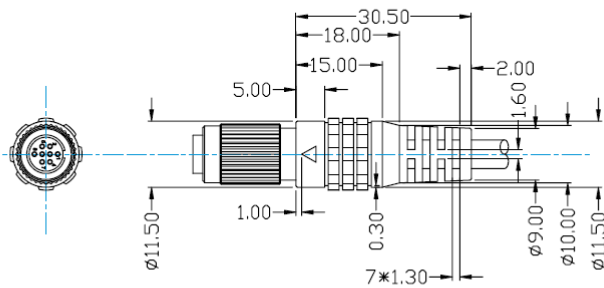
PROFILE RIGHT ANGLE  
12 Position



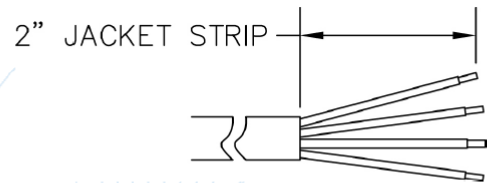
PROFILE 5 & 6



PROFILE RIGHT ANGLE  
6 Position



PROFILE 7 & 8



PROFILE X

Temp: 11-18-19