

USB 2.0 CABLES

Universal Serial Bus with increased data transfer of 480 Mbps available in various configurations.

PART NUMBER REFERENCE



USB-A Connector Type: End "1":

Connector types: 1 -5 (See Below)

Cable Type Options:

- HI FLEX = 1
- ROBOTIC = 2

Select Connector Type: End "2"

- USB-A = 1
- USB-B = 2
- USB-B w/Screws = 3
- Mini USB-B = 4
- Mini USB-B w/Screws = 5

Option: Length in Meters

CONNECTOR TYPE OPTIONS:

1



USB-A

2



USB-B

3



USB-B w/Screws

4



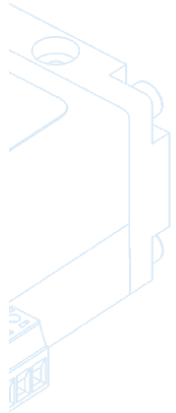
Mini USB-B

5

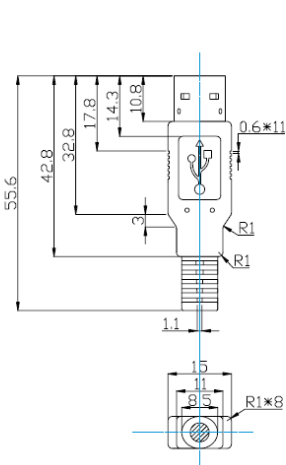


Mini USB-B w/Screws

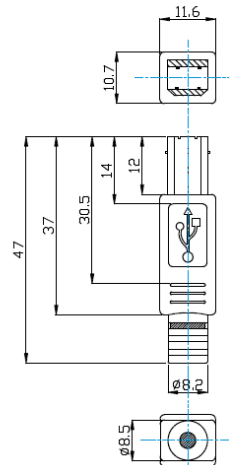
Temp: 8-12-19



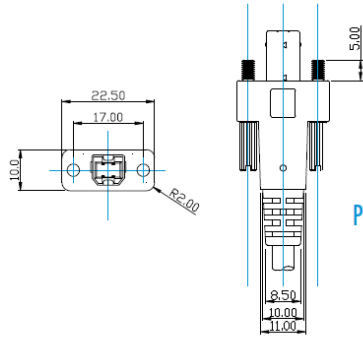
PROFILE 1



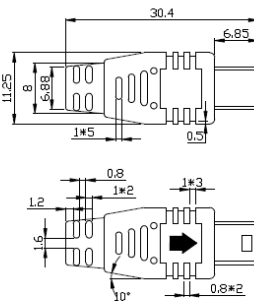
PROFILE 2



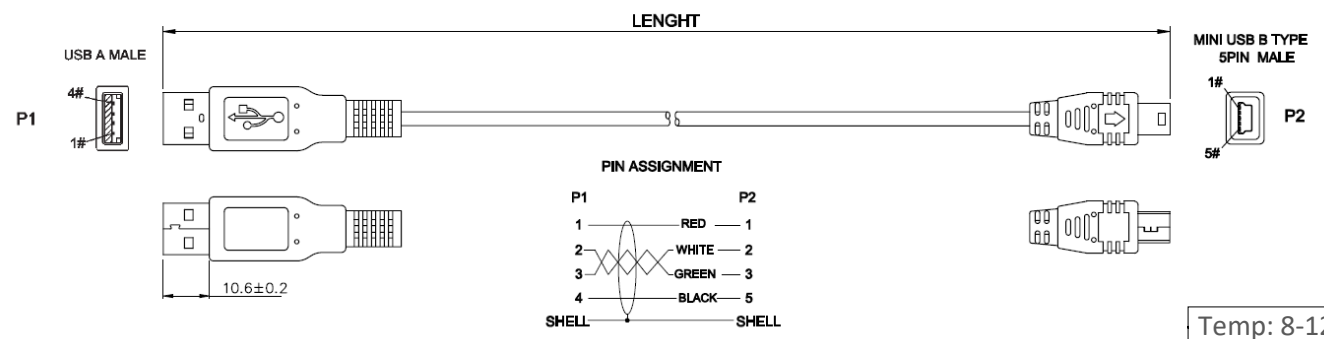
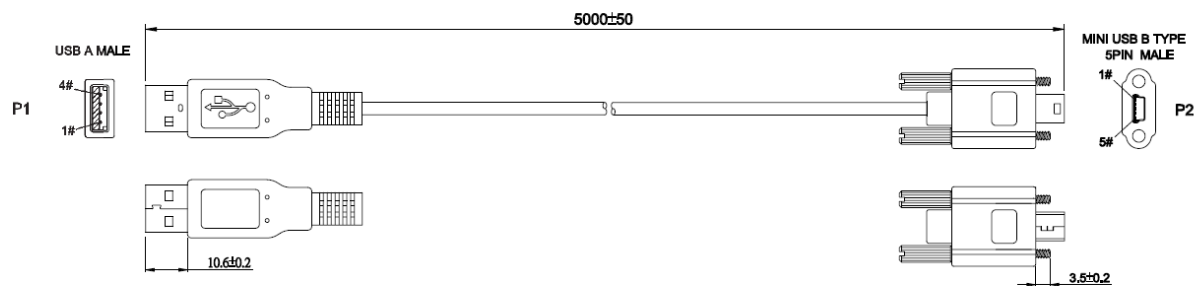
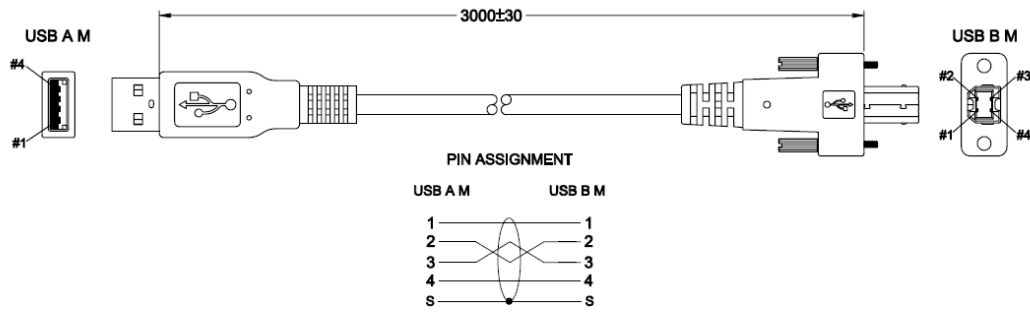
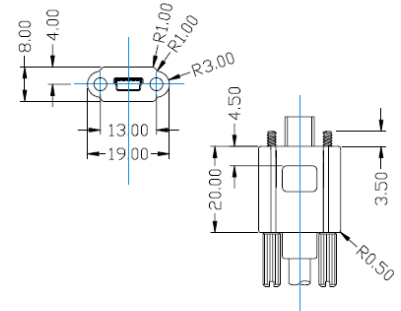
PROFILE 3



PROFILE 4



PROFILE 5



Temp: 8-12-19