



Machine Vision Camera Enclosure IP67 Nano (Extruded) Series

As a leading innovator in the Machine Vision Industry, CEI is proud to introduce our new line of Machine Vision Camera Enclosures, Cables, and Accessories for demanding vision applications.

IP67 Nano (Extruded) Series Camera Enclosure Key Features

- CEI Integrated Connector Design (no cord grips)
- IP67 protection
- Design for Dalsa Genie Nano and other popular camera models
- Excellent heat dissipation
- Allows changing and focusing Optics while mounted
- Flexible mounting options
- High quality (easy to replace) windows by Midwest Optical
- Lightweight low-profile design
- Type 2 anodizing
- Options: Mounts, Visors, Air Curtains, Windows & Filters
- Options: Custom Sizes, lengths, Cables
- Options: Complete Solutions (Camera, Enclosure, Cabling)
- Competitive pricing
- Made in USA, Patent Pending



Enclosure Specs (See Appendix "A" for part numbers)

Camera: Dalsa Genie Nano & Other Machine Vision

Optics: Supports a wide range of C-Mount optics

Window: Midwest Optical – AR coated

Interface Connector: M12 X-Code Ethernet

Optional Interface Connector: M12 12 pin male

Mounting: 2 x 1/4"-20, SLM-1 pattern with adapter

Sealing: IP67

Material: 6063 Aluminum

Coating: Type 2 anodized

Length: 133 mm (with Lens Cover and M12 connector.)

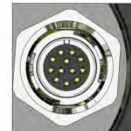
Height / Width: 66 mm square

Window Diameter: 42 mm

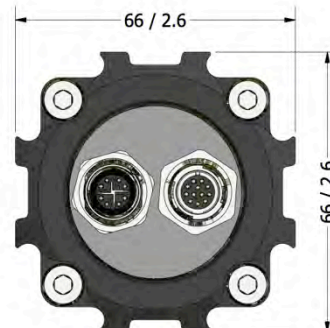
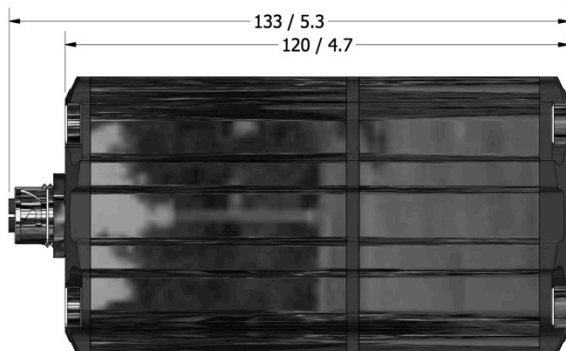
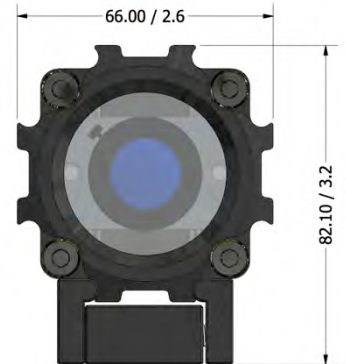
Weight: 880 g (typical weight fully assembled W/ Camera)



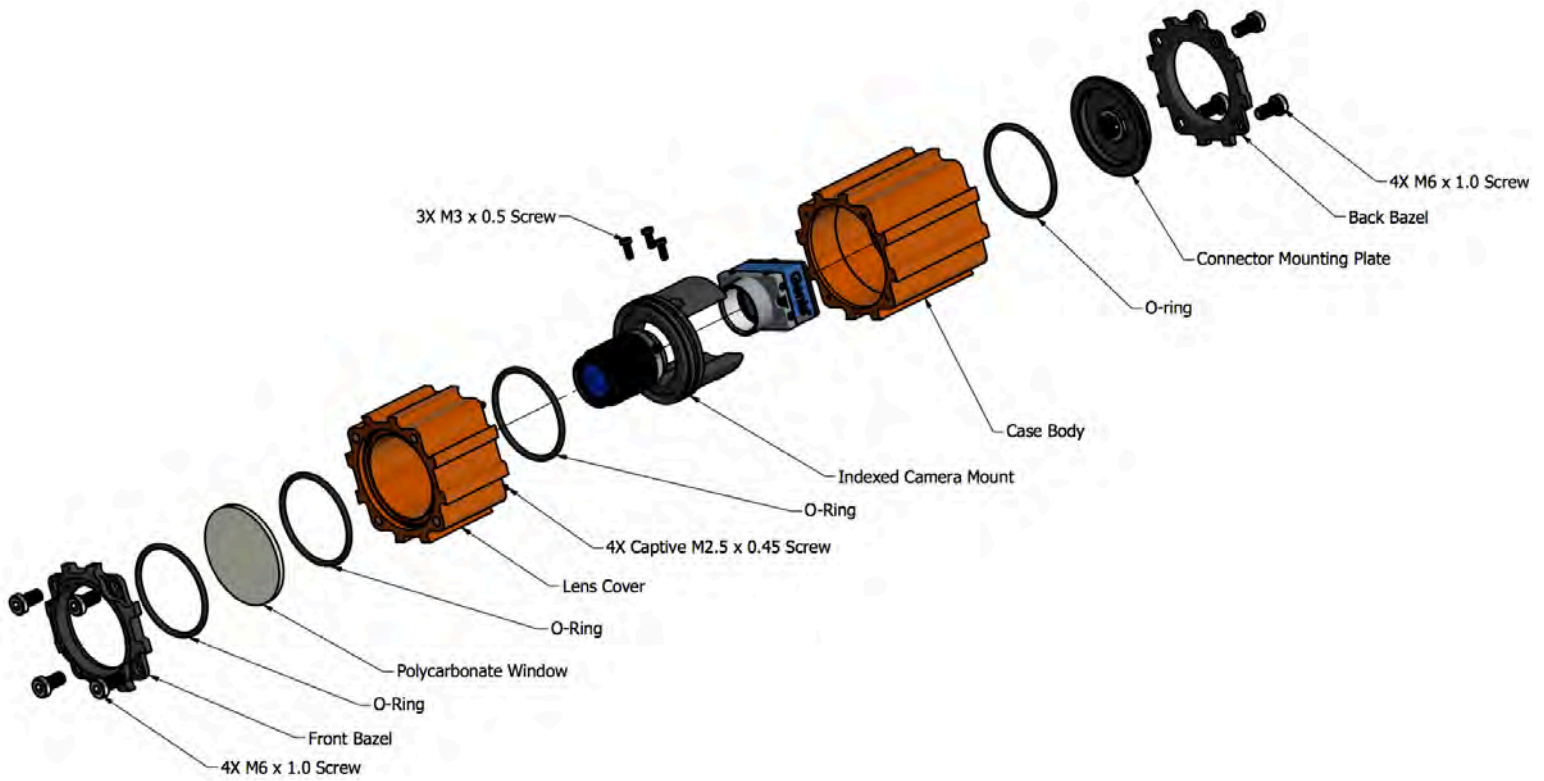
Data Connector
M12 X-Coded Female
IP67 When Mated



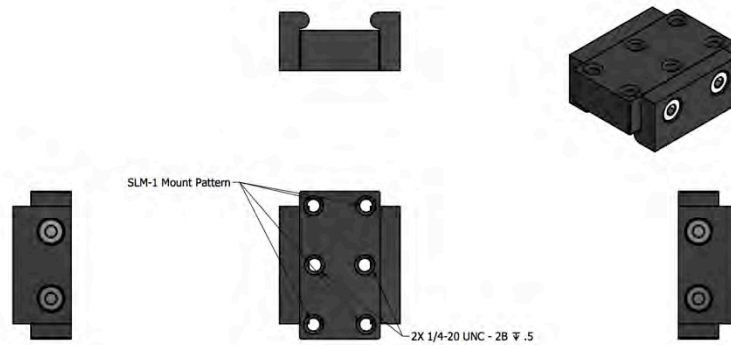
I/O Connector (Optional)
M12 12 Pin Male
IP67 When Mated



CEI IP67 Nano Series - Assembly View



2x 1/4-20 and SLM-1 Pattern Mounting Adapter (P/N: EN-E1-M2)

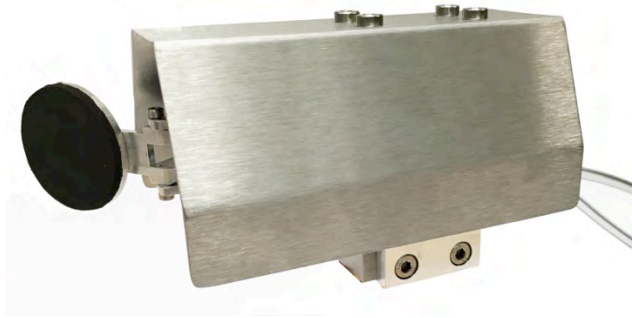


Internal Camera Mounting System

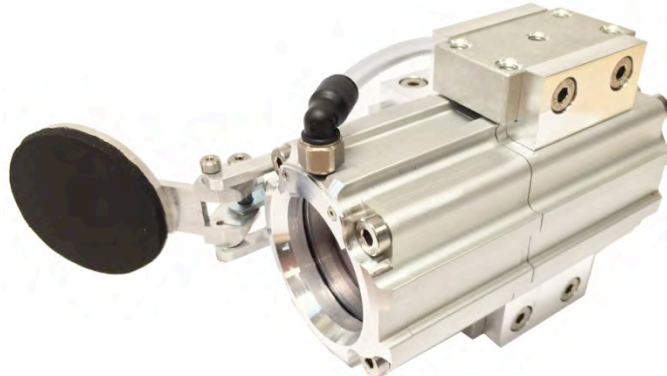


Call Components Express, Inc. at 630-257-0605 for Ordering Information.

Available Options



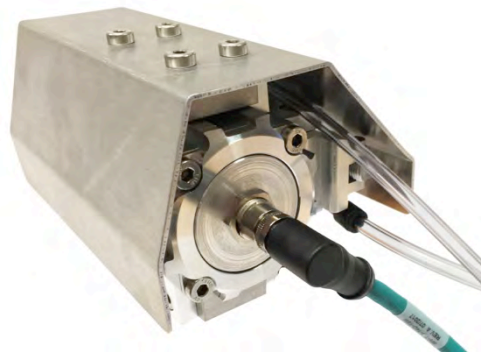
Visor / Dust Cover (P/N: EN-E1-SS)



Window Air-Curtain (P/N: EN-E1-AC)



Pneumatic Window Cover (P/N: EN-E1-PS)



Right Angle M12 X-Code Cables

Call Components Express, Inc. at 630-257-0605 for Ordering Information.

Appendix "A" CEI IP67 Nano Series:

Part Number	Description
GENIE NANO ENCLOSURE ONLY - LENS COVER AND MOUNT REQUIRED	
EN-GN	GENIE NANO ENCLOSURE
EN-GNI	GENIE NANO ENCLOSURE WITH I/O
EN-E1-02	BODY STYLE 02 - FITS SENTECH MODEL STC-SCS500POE
EN-E1-01-I	BODY STYLE 01-I - FITS FLIR BLACKFLY-S - WITH IO
EN-GN TYPE LENS COVER ONLY 44MM DIA. W/ BOROSILICATE WINDOW - ENCLOSURE AND MOUNT REQUIRED	
EN-E1-LC-30	Lens cover for EN-GN enclosure, 30mm length, borosilicate window
EN-E1-LC-40	Lens cover for EN-GN enclosure, 40mm length, borosilicate window
EN-E1-LC-42	Lens cover for EN-GN enclosure, 42mm length, borosilicate window
EN-E1-LC-50	Lens cover for EN-GN enclosure, 50mm length, borosilicate window
EN-E1-LC-60	Lens cover for EN-GN enclosure, 60mm length, borosilicate window
EN-E1-LC-70	Lens cover for EN-GN enclosure, 70mm length, borosilicate window
EN-GN TYPE LENS COVER ONLY 44MM DIAMETER W/ ACRYLIC WINDOW - ENCLOSURE AND MOUNT REQUIRED	
EN-E1-LC-30A	Lens cover for EN-GN enclosure, 30mm length, acrylic window
EN-E1-LC-40A	Lens cover for EN-GN enclosure, 40mm length, acrylic window
EN-E1-LC-42A	Lens cover for EN-GN enclosure, 42mm length, acrylic window
EN-E1-LC-50A	Lens cover for EN-GN enclosure, 50mm length, acrylic window
EN-E1-LC-60A	Lens cover for EN-GN enclosure, 60mm length, acrylic window
EN-E1-LC-70A	Lens cover for EN-GN enclosure, 70mm length, acrylic window
ACCESSORIES	
EN-E1-PS	EXTRUSION 1 PNEUMATIC SHUTTER
EN-E1-AC	EXTRUSION 1 AIR CURTAIN FOR GENIE NANO
EN-E1-M1	EXTRUSION 1 MOUNT FOR 1/4 - 20 , METRIC M6 SWIVEL LINK SLM-1
EN-E1-M2	EXTRUSION 1 MOUNT FOR 1/4 - 20, METRIC M5 SWIVEL LINK SLM-1
EN-E1-SS	EXTRUSION 1 DUST COVER FOR PNEUMATIC SHUTTER 150MM W MOUNT



COMPONENTS EXPRESS, INC.
INDUSTRY LEADING PERFORMANCE

10330 Argonne Woods Drive, Suite 100 • Woodridge, IL 60517

Tel 630-257-0605 / 800-578-6695 (outside Illinois) Fax 630-257-0603

CEI Machine Vision Camera Enclosure IP67 38mm Series Round

As a leading innovator in the Machine Vision Industry, CEI is proud to introduce our new line of Machine Vision Camera Enclosures, Cables, and Accessories for demanding vision applications.

IP67 38mm Series Camera Round Enclosure Key Features

- CEI Integrated Connector Design (no cord grips)
- IP67 protection
- Universal design for popular 29mm camera models
- Excellent heat dissipation
- Enclosure tailored for specific Camera & Optics
- Adjustable Mount with 4 tapped holes included
- High quality (easy to replace) windows by Midwest Optical
- Lightweight low-profile design
- Type 2 anodizing
- Options: Mounts, Air Curtains, Windows & Filters, Cables
- Options: Custom Sizes, lengths, and focusing solutions.
- Competitive pricing
- Made in USA, Patent Pending



Enclosure Specs (See Appendix "A" for part numbers)

Camera Size: 29mm square mount machine vision

Optics: Supports a wide range of C-Mount optics

Window: Midwest Optical 2mm AR coated

Borofloat glass or Acrylic

Lens Covers: Available in 38mm, 44mm, 55mm, 60mm diameters

Lengths in 10mm increments

Interface Connectors: M12 X-Code Ethernet Female

Optional Interfaces: M12 A-Code I/O Male, Cord Grip

Mounting: Qty. 2, M6 and Qty. 2 1/4-20 UNC tapped holes with

19.05mm (3/4") hole spacing,

Adjustable ring mount

Sealing: IP67

Material: 6061 Aluminum

Coating: Type 2 anodized

Overall Length (L): Varies, See Appendix "A"

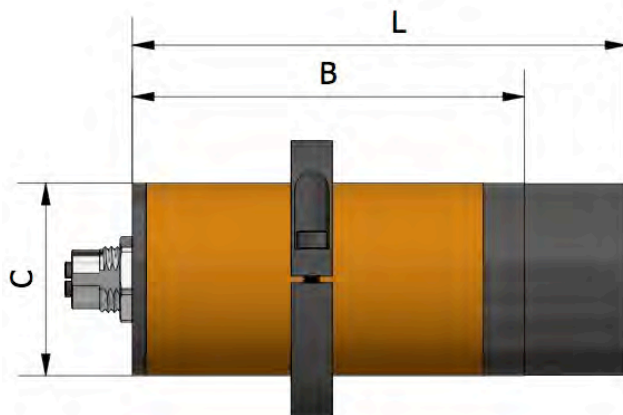
Body Length (B): 90 mm (incl. interface conn.)

Height / Width (C): 44.5 mm round (body)

Mount diameter: 69 mm

Window Diameter: 42 mm (48mm with 44mm cover)

Weight: 370g (typical weight fully assembled
W/ Camera)



Contact CEI for Application and Configuration Details.



Call Components Express, Inc. at 630-257-0605 for Ordering Information.

IP67_38mm Round - Rev B

Appendix “A” CEI IP67 38mm Series Camera Round Enclosure Part numbers:

PART NUMBER	ENCLOSURE BODY, END CAP, AND ROUND MOUNT
EN-38R-A0-82	38mm x 82mm long enclosure, M12 x-code, no I/O, Fits up to 29mm x 29mm cameras
EN-38R-A1-82	38mm x 82mm long enclosure, M12 x-code, with I/O, Fits up to 29mm x 29mm cameras
EN-38R-E0-82	38mm x 82mm long enclosure, Cord Grip .19 - .25 diameter cable fits RJ45, no I/O
EN-38R-A0-98	38mm x 98mm long enclosure, M12 x-code, no I/O, Fits up to 29mm x 29mm cameras
EN-38R-A1-98	38mm x 98mm long enclosure, M12 x-code, with I/O, Fits up to 29mm x 29mm cameras
EN-38R-E0-98	38mm x 98mm long enclosure, Cord Grip .19 - .25 diameter cable fits USB3 Micro-B, no I/O

PART NUMBER	FRONT BEZEL DIAMETER TO MATCH LENS CAP
EN-38R-FB38-A	Front bezel for 38mm round enclosure, for 38mm diameter lens caps, Type A style cameras
EN-38R-FB38-B	Front bezel for 38mm round enclosure, for 38mm diameter lens caps, Type B style cameras
EN-38R-FB44-A	Front bezel for 38mm round enclosure, for 44mm diameter lens caps, Type A style cameras
EN-38R-FB44-B	Front bezel for 38mm round enclosure, for 44mm diameter lens caps, Type B style cameras
EN-38R-FB55-A	Front bezel for 38mm round enclosure, for 55mm diameter lens caps, Type A style cameras
EN-38R-FB55-B	Front bezel for 38mm round enclosure, for 55mm diameter lens caps, Type B style Cameras
EN-38R-FB60-A	Front bezel for 38mm round enclosure, for 60mm diameter lens caps, Type A style cameras
EN-38R-FB60-B	Front bezel for 38mm round enclosure, for 60mm diameter lens caps, Type B style cameras

PART NUMBER	LENS CAPS ONLY 38MM DIAMETER - ENCLOSURE AND FRONT BEZEL REQUIRED
EN-LC38-30	Lens cover for 38mm bezel, 30mm length, borosilicate window
EN-LC38-40	Lens cover for 38mm bezel, 40mm length, borosilicate window
EN-LC38-50	Lens cover for 38mm bezel, 50mm length, borosilicate window
EN-LC38-60	Lens cover for 38mm bezel, 60mm length, borosilicate window
EN-LC38-70	Lens cover for 38mm bezel, 70mm length, borosilicate window
EN-LC38-80	Lens cover for 38mm bezel, 80mm length, borosilicate window

PART NUMBER	LENS CAPS ONLY 44MM DIAMETER - ENCLOSURE AND FRONT BEZEL REQUIRED
EN-LC44-30	Lens cover for 44mm bezel, 30mm length, borosilicate window
EN-LC44-40	Lens cover for 44mm bezel, 40mm length, borosilicate window
EN-LC44-50	Lens cover for 44mm bezel, 50mm length, borosilicate window
EN-LC44-60	Lens cover for 44mm bezel, 60mm length, borosilicate window
EN-LC44-70	Lens cover for 44mm bezel, 70mm length, borosilicate window
EN-LC44-75	Lens cover for 44mm bezel, 75mm length, borosilicate window
EN-LC44-80	Lens cover for 44mm bezel, 80mm length, borosilicate window
EN-LC44-90	Lens cover for 44mm bezel, 90mm length, borosilicate window
EN-LC44-100	Lens cover for 44mm bezel, 100mm length, borosilicate window
EN-LC44-110	Lens cover for 44mm bezel, 110mm length, borosilicate window
EN-LC44-140	Lens cover for 44mm bezel, 140mm length, borosilicate window

Appendix “A” CEI IP67 38mm Series Camera Round Enclosure Part numbers (Continued):

PART NUMBER	LENS CAP ONLY 55MM DIAMETER W/ BOROSILICATE GLASS WINDOW - ENCLOSURE AND FRONT BEZEL REQUIRED
EN-LC55-30	Lens cover for 55mm bezel, 30mm length, borosilicate window
EN-LC55-40	Lens cover for 55mm bezel, 40mm length, borosilicate window
EN-LC55-50	Lens cover for 55mm bezel, 50mm length, borosilicate window
EN-LC55-60	Lens cover for 55mm bezel, 60mm length, borosilicate window
EN-LC55-70	Lens cover for 55mm bezel, 70mm length, borosilicate window
EN-LC55-80	Lens cover for 55mm bezel, 80mm length, borosilicate window

PART NUMBER	LENS CAP ONLY 55MM DIAMETER W/ ACRYLIC WINDOW - ENCLOSURE AND FRONT BEZEL REQUIRED
EN-LC55-30A	Lens cover for 55mm bezel, 30mm length, acrylic window
EN-LC55-40A	Lens cover for 55mm bezel, 40mm length, acrylic window
EN-LC55-50A	Lens cover for 55mm bezel, 50mm length, acrylic window
EN-LC55-60A	Lens cover for 55mm bezel, 60mm length, acrylic window
EN-LC55-70A	Lens cover for 55mm bezel, 70mm length, acrylic window
EN-LC55-80A	Lens cover for 55mm bezel, 80mm length, acrylic window

PART NUMBER	LENS CAP ONLY 60MM DIAMETER - ENCLOSURE AND FRONT BEZEL REQUIRED
EN-LC60-30	Lens cover for 60mm bezel, 30mm length, borosilicate window
EN-LC60-40	Lens cover for 60mm bezel, 40mm length, borosilicate window
EN-LC60-50	Lens cover for 60mm bezel, 50mm length, borosilicate window
EN-LC60-60	Lens cover for 60mm bezel, 60mm length, borosilicate window
EN-LC60-70	Lens cover for 60mm bezel, 70mm length, borosilicate window
EN-LC60-80	Lens cover for 60mm bezel, 80mm length, borosilicate window
EN-LC60-90	Lens cover for 60mm bezel, 90mm length, borosilicate window

PART NUMBER	LIGHT BRACKET FOR 38MM ROUND ENCLOSURES (W/ 38MM LENS COVER ONLY)
EN-LB38R-38-A	Light bracket for 38mm round enclosure with 38mm lens cap, small light mounting plate
EN-LB38R-38-B	Light bracket for 38mm round enclosure with 38mm lens cap, large light mounting plate
EN-LB38R-38-C	Swivel Light bracket for 38mm round enclosure with 38mm lens cap, small light mounting plate

PART NUMBER	CUSTOM MOUNTS
EN-M4	4 AXIS MOUNT
EN-38R-MR	Mount ring for 38mm round enclosure



Call Components Express, Inc. at 630-257-0605 for Ordering Information.



CEI Machine Vision Camera Enclosure IP67 55mm Series Round

As a leading innovator in the Machine Vision Industry, CEI is proud to introduce our new line of Machine Vision Camera Enclosures, Cables, and Accessories for demanding vision applications.

IP67 55mm Series Camera Round Enclosure Key Features

- CEI Integrated Connector Design (no cord grips)
- IP67 protection
- Universal design for camera models with up to 42mm² body
- Also supports many popular Dalsa Genie Nano cameras
- Excellent heat dissipation
- Enclosure tailored for specific Camera & Optics
- Adjustable Mount with 4 tapped holes included
- High quality (easy to replace) windows by Midwest Optical
- Lightweight low-profile design
- Type 2 anodizing
- Options: Mounts, Windows & Filters, Cables
- Options: Custom Sizes, lengths, and focusing solutions.
- Options: Complete Solutions (Camera, Enclosure, Cabling)
- Competitive pricing
- Made in USA, Patent Pending



Enclosure Specs (See Appendix "A" for part numbers)

Camera Size: up to 42mm square or 44mm x 29mm machine vision

Optics: Supports a wide range optics

Window: Midwest Optical 2mm- AR coated
Borofloat glass or Acrylic

Lens Covers: Available in 55mm and 60mm Diameters
Lengths in 10mm increments

Interface Connectors: M12 X-Code Ethernet Female

Optional Interface: M12 A-Code I/O Male, HDMI, HD-BNC

Mounting: Qty. 2, M6 and Qty. 2 ¼-20 UNC tapped holes with
19.05mm (¾") hole spacing
Adjustable ring mount

Sealing: IP67

Material: 6061 Aluminum

Coating: Type 2 anodized

Overall Length (L): Varies, See Appendix "A"

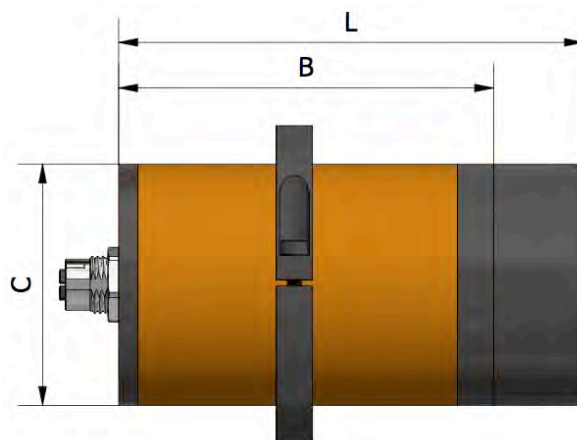
Body Length (B): Varies, See Appendix "A"

Height / Width (C): 63.5 mm OD round (body)

Mount diameter: 88.9 mm

Window Diameter: 62 mm

Weight: ~500g (typical weight fully assembled
W/ Camera)



Contact CEI for Application and Configuration Details.

Appendix “A” CEI IP67 55mm Series Camera Round Enclosure Part Numbers:

PART NUMBER	ENCLOSURE BODY, END CAP, AND ROUND MOUNT
EN-55R-A0-90	55mm x 90mm long enclosure, M12 x-code, no I/O, Fits up to 42mm x 42mm cameras
EN-55R-A1-90	55mm x 90mm long enclosure, M12 x-code, with M12 8p male I/O, Fits up to 42mm x 42mm cameras
EN-55R-B0-90	55mm x 90mm long enclosure, HDMI, no I/O, Fits up to 42mm x 42mm cameras
EN-55R-B1-90	55mm x 90mm long enclosure, HDMI, with I/O, Fits up to 42mm x 42mm cameras
EN-55R-C0-90	55mm x 90mm long enclosure, HD-BNC, no I/O, Fits up to 42mm x 42mm cameras
EN-55R-C1-90	55mm x 90mm long enclosure, HD-BNC, M12 12p male I/O, Fits up to 42mm x 42mm cameras
EN-55R-D1-90	55mm x 90mm long enclosure, M12 x-code, with I/O for Nano. Fits up to 42mm x 42mm cameras
EN-55R-E1-110	55mm x 110 long enclosure, M12 x-code, with M12 8p male I/O for MicroScan MicroHawk MV-40
EN-55R-F1-110	55mm x 110 long enclosure, M12 x-code, with M12 12p male I/O for Basler Scout scaA640-70gm
EN-55R-G1-110	55mm x 110mm long enclosure, HD-BNC, M12 12p male I/O, Fits CIS Clairvu 3G SDI HD3 Camera

PART NUMBER	FRONT BEZEL DIAMETER TO MATCH LENS CAP
EN-55R-FB55-A	Front bezel for 55mm round enclosure, for 55mm lens diameter caps, Type A style cameras
EN-55R-FB55-B	Front bezel for 55mm round enclosure, for 55mm diameter lens caps, Type B style cameras
EN-55R-FB55-C	Front Bezel for 55mm round enclosure, for 55mm diameter lens caps, Type C style cameras
EN-55R-FB55-D	Front Bezel for 55mm round enclosure, no lens cap required, type D style cameras
EN-55R-FB55-E	Front Bezel for 55mm round enclosure, for 55mm diameter lens caps, Type E style cameras
EN-55R-FB60-C	Front Bezel for 55 mm round enclosure, for 60mm diameter lens caps, Type C style cameras
EN-55R-FB55-F	Front Bezel for 55mm round enclosure, for 55mm diameter lens caps, Type F style cameras
EN-55R-FB55-G	Front Bezel for 55mm round enclosure, for 55mm diameter lens caps, Type G style cameras

PART NUMBER	LENS CAP ONLY 55MM DIAMETER W/ BOROSILICATE GLASS WINDOW - ENCLOSURE AND FRONT BEZEL REQUIRED
EN-LC55-30	Lens cover for 55mm bezel, 30mm length, borosilicate window
EN-LC55-40	Lens cover for 55mm bezel, 40mm length, borosilicate window
EN-LC55-50	Lens cover for 55mm bezel, 50mm length, borosilicate window
EN-LC55-60	Lens cover for 55mm bezel, 60mm length, borosilicate window
EN-LC55-70	Lens cover for 55mm bezel, 70mm length, borosilicate window
EN-LC55-80	Lens cover for 55mm bezel, 80mm length, borosilicate window

Appendix “A” CEI IP67 55mm Series Camera Round Enclosure Part Numbers (Continued):

PART NUMBER	LENS CAP ONLY 55MM DIAMETER W/ ACRYLIC WINDOW - ENCLOSURE AND FRONT BEZEL REQUIRED
EN-LC55-30A	Lens cover for 55mm bezel, 30mm length, acrylic window
EN-LC55-40A	Lens cover for 55mm bezel, 40mm length, acrylic window
EN-LC55-50A	Lens cover for 55mm bezel, 50mm length, acrylic window
EN-LC55-60A	Lens cover for 55mm bezel, 60mm length, acrylic window
EN-LC55-70A	Lens cover for 55mm bezel, 70mm length, acrylic window
EN-LC55-80A	Lens cover for 55mm bezel, 80mm length, acrylic window
EN-LC55-150A	Lens cover for 55mm bezel, 150mm length, acrylic window
PART NUMBER	LENS CAP ONLY 60MM DIAMETER - ENCLOSURE AND FRONT BEZEL REQUIRED
EN-LC60-30	Lens cover for 60mm bezel, 30mm length, borosilicate window
EN-LC60-40	Lens cover for 60mm bezel, 40mm length, borosilicate window
EN-LC60-50	Lens cover for 60mm bezel, 50mm length, borosilicate window
EN-LC60-60	Lens cover for 60mm bezel, 60mm length, borosilicate window
EN-LC60-70	Lens cover for 60mm bezel, 70mm length, borosilicate window
EN-LC60-80	Lens cover for 60mm bezel, 80mm length, borosilicate window
EN-LC60-90	Lens cover for 60mm bezel, 90mm length, borosilicate window
PART NUMBER	CUSTOM MOUNTS
EN-M4	4 AXIS MOUNT
PART NUMBER	Accessories
EN-N	Nitrogen Charge



Call Components Express, Inc. at 630-257-0605 for Ordering Information.



CEI Machine Vision Camera Enclosure IP67 88mm Series Round

As a leading innovator in the Machine Vision Industry, CEI is proud to introduce our new line of Machine Vision Camera Enclosures, Cables, and Accessories for demanding vision applications.

IP67 88mm Series Camera Round Enclosure Key Features

- CEI Integrated Connector Design (no cord grips)
- IP67 protection
- Universal design for camera models with up to 60mm² body
- Also supports Dalsa Genie Nano XL, Nano 5G, Sony Block
- Excellent heat dissipation
- Enclosure tailored for specific Camera & Optics
- Adjustable Mount with 4 tapped holes included
- High quality (easy to replace) windows by Midwest Optical
- Lightweight low-profile design
- Type 2 anodizing
- Options: Mounts, Windows & Filters, Cables
- Options: Custom Sizes, lengths, and focusing solutions.
- Options: Complete Solutions (Camera, Enclosure, Cabling)
- Competitive pricing
- Made in USA, Patent Pending



Enclosure Specs (See Appendix "A" for part numbers)

Camera Size: up to 60mm square machine vision

Optics: Supports a wide range optics

Window: Midwest Optical 2mm– AR coated
Borofloat glass

Lens Covers: Available in 79mm and 103mm Diameters
Lengths in 10mm increments

Interface Connectors: M12 X-Code Ethernet Female

Optional Interface: M12 A-Code I/O Male

Mounting: Qty. 2, M6 and Qty. 2 ¼-20 UNC tapped holes with
19.05mm (¾") hole spacing
Adjustable ring mount

Sealing: IP67

Material: 6061 Aluminum

Coating: Type 2 anodized

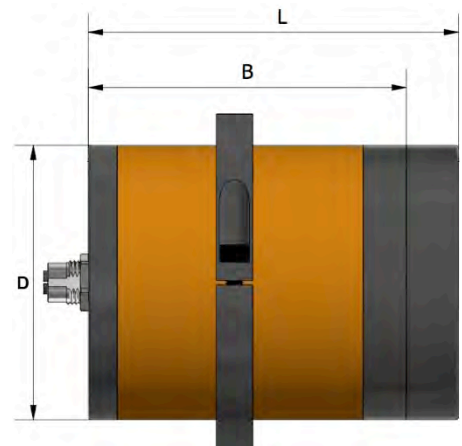
Overall Length (L): Varies, See Appendix "A"

Body Length (B): Varies, See Appendix "A"

Height / Width (D): 95 mm OD round (body)

Mount diameter: 120 mm

Weight: ~1000g (typical weight fully assembled
W/ Camera)



Contact CEI for Application and Configuration
Details.



Appendix “A” CEI IP67 88mm Series Camera Round Enclosure Part Numbers:

PART NUMBER	ENCLOSURE BODY, END CAP, AND ROUND MOUNT
EN-88R-A0-95	88mm x 95mm long enclosure, M12 x-code, no I/O, Fits up to 62mm x 62mm cameras
EN-88R-A1-95	88mm x 95mm long enclosure, M12 x-code, with Nano I/O, Fits up to 62mm x 62mm cameras
EN-88R-B1-160	88mm x 160mm long enclosure, M12 x-code, with M12 8 pin I/O, Fits FCB-8550/8530

PART NUMBER	FRONT BEZEL DIAMETER TO MATCH LENS CAP
EN-88R-FB79-A	Front bezel for 88mm round enclosure, for 79mm lens diameter caps, Type A style cameras
EN-88R-FB103-A	Front bezel for 88mm round enclosure, for 103mm diameter lens caps, Type A style cameras
EN-88R-FB79-B	Front bezel for 88mm round enclosure, Fits FCB-8550/8530 (no lens cover required)
EN-88R-FB79-C	Front bezel for 88mm round enclosure, for 79mm lens diameter caps, Type C style cameras

PART NUMBER	LENS CAPS ONLY 79MM DIAMETER - ENCLOSURE AND FRONT BEZEL REQUIRED
EN-LC79-70	Lens cover for 79mm bezel, 70mm length, borosilicate window
EN-LC79-80	Lens cover for 79mm bezel, 80mm length, borosilicate window

PART NUMBER	LENS CAPS ONLY 103MM DIAMETER - ENCLOSURE AND FRONT BEZEL REQUIRED
EN-LC103-90	Lens cover for 103mm bezel, 90mm length, borosilicate window

PART NUMBER	Accessories
EN-88R-SSB	Sun Shade with Bird Spikes



COMPONENTS EXPRESS, INC.
INDUSTRY LEADING PERFORMANCE

10330 Argonne Woods Drive, Suite 100 • Woodridge, IL 60517

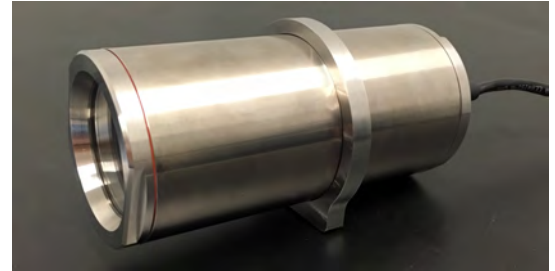
Tel 630-257-0605 / 800-578-6695 (outside Illinois) Fax 630-257-0603

CEI Machine Vision Camera Enclosure Stainless Series

As a leading innovator in the Machine Vision Industry, CEI is proud to introduce our new line of Machine Vision Camera Enclosures, Cables, and Accessories for demanding vision applications.

CEI Camera Enclosure Key Features

- CEI Integrated Connector Design (no cord grips)
- IP67 protection
- Excellent heat dissipation
- Enclosure tailored for specific Camera & Optics
- Flexible mounting options
- High quality (easy to replace) windows by MidOpt
- Round wash-down design
- All Stainless Steel construction
- Options: Mounts, Visors, Air Curtains, Windows & Filters
- Options: Cables , Custom Sizes, lengths, and focusing solutions.
- Options: Complete Solutions (Camera, Enclosure, Cabling)
- Competitive pricing
- Made in USA



Enclosure Specs (CEI Stainless Series)

Application: Food and Beverage applications

Camera: Popular Gig-E Machine Vision Cameras

Window: MIDOPT 3mm Polycarbonate – AR coated

Interface Connector: RJ45 Male IP67 CEI MV-4 profile

Mounting: 1/4 - 20 UNC tapped hole x 2

Sealing: IP67

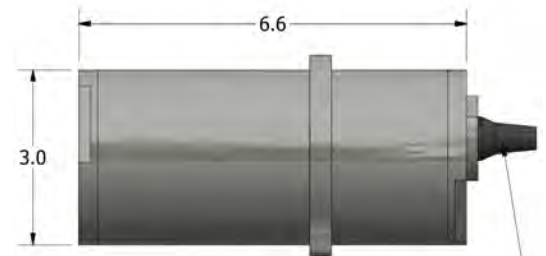
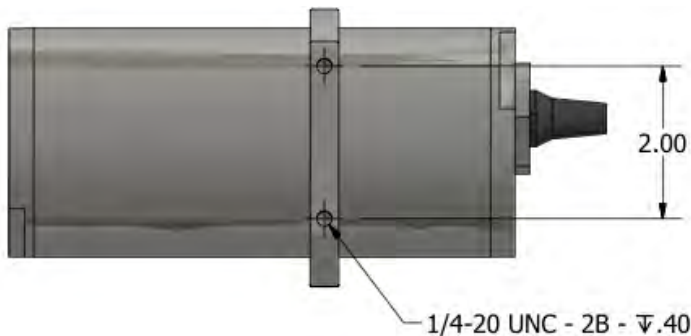
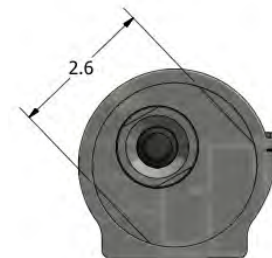
Material: Stainless Steel – 304 grade

Length: 6.6 Inches

Diameter: 3 Inches

Window Diameter: 2.2 Inches

Weight: 5.2 Lbs. (without camera & optics)



RJ45 Male IP67
CEI MV-4 Profile

Call Components Express, Inc. at 630-257-0605 for Ordering Information.

Stainless_Series- Rev A



Scan QR to view
Assembly video

Light Bracket for Matrox® Iris GTR

As a leading innovator in the Machine Vision Industry, CEI is proud to introduce our new line of Machine Vision light brackets for demanding vision applications.

Matrox® Iris GTR Light Bracket Key Features

- Focusing & optics removal without disassembly
- Easy-open flip-up design
- Excellent heat dissipation
- Wide range of lighting positions and angles
- Works with a wide range of Smart Vision Lights® & Optics
- Easily adjustable for different optics and lighting
- Optional IP67 Lens covers with windows or filters
- Optional mounting adapter supports Swivellink®
- Lightweight aluminum construction
- Type 2 anodizing
- Made in USA



Shown with optional Lens cover and Swivellink® mount adapter. Vision system not included.

Light Bracket Specs*

CEI Part Number: E-GTR-LB

CEI Design Variation: Flip Style

Camera: Matrox® Iris GTR Smart Camera Series

Supported Lights: See appendix table "A"

Material: 6061 Aluminum

Coating: Type 2 anodized

Length:

- Extended: 110 mm (Light bracket only)
151 mm (with Camera & Light Plate)
- Retracted: 25 mm (Light bracket only)
66 mm (with Camera & Light Plate)

Light Plate Dimensions: 120.65 mm x 85.73 mm

Light Plate Thru-hole Dimension: 48mm Dia.

Optional Lens Cover: CEI part#: **EN-DC55-xx**

Optional Swivellink® Mount Adapter: CEI part#: **EN-SL-A**

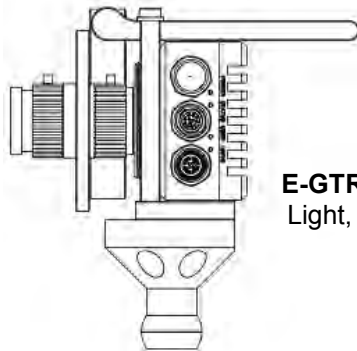
(Lens cover and mount adapter not included, must be Ordered separately Contact CEI for ordering information)

*Camera, Optics, Lights, and Mount dealer supplied

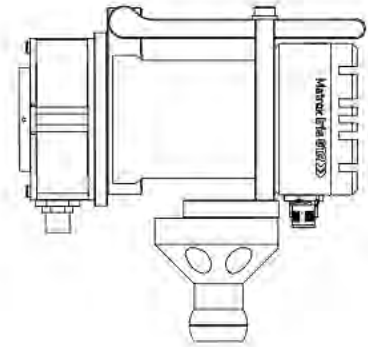
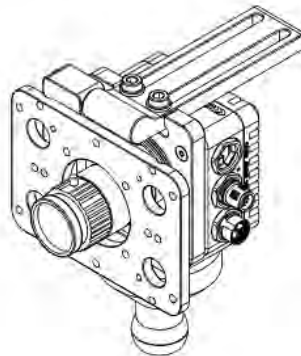
E-GTR-LB
Light Bracket Kit



E-GTR-LB with Camera,
Light, IP67 Lens Cover,
Mount Adapter, & mount.



E-GTR-LB with Camera,
Light, Mount Adapter, &
mount.



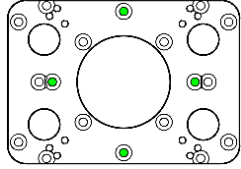
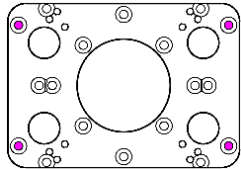
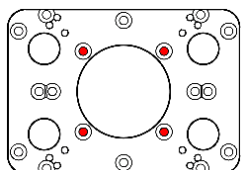
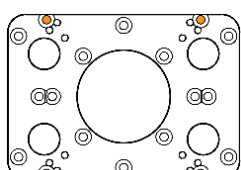
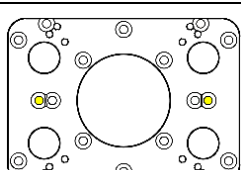
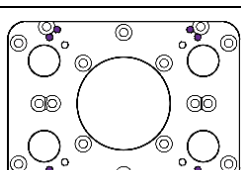
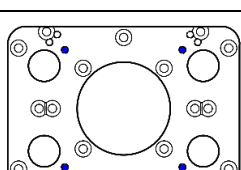
Contact us today at: 630-257-0605 / 800-578-6695 (outside Illinois) or visit us online: www.ComponentsExpress.com

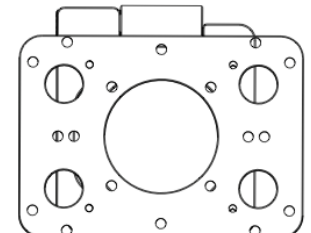
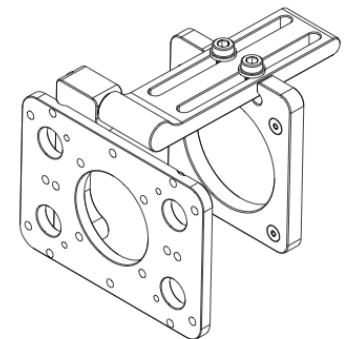
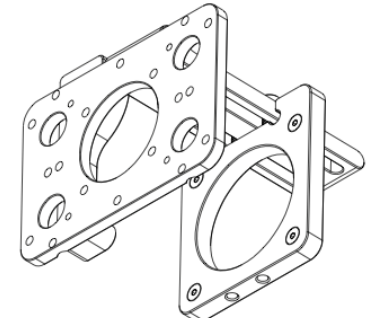
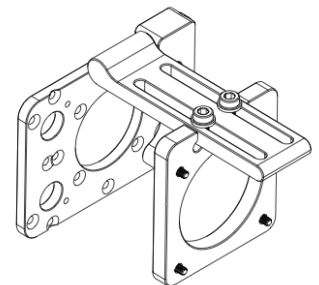
CEI part number: E-GTR-LB

Table "A" - Supported Lights

Smart Vision Lights® Model	Diameter
RC130	130mm
R80	80 mm
R130	130mm
RD80	80mm
RD130	130mm
RCC130	130mm
RM75 & RMX75	75 mm
RM140 & RMX140	140 mm
S75	N/A



	R80
	R130
	RM75
	RM140
	RMX140
	S75
	BRACKET MOUNT



CEI part number: E-GTR-LB**Ordering Information**

PART NUMBER	DESCRIPTION		
E-GTR-LB	IP67 GTR flip light bracket W/ Light Plate (does not include lens cap or mounting adapter)		
	Accessories	COLOR	FILTER
EN-DC55-30	Lens cover for Matrox® Iris GTR, 55mm O.D., 30mm length	Clear	LP286
EN-DC55-40	Lens cover for Matrox® Iris GTR, 55mm O.D., 40mm length	Clear	LP286
EN-DC55-50	Lens cover for Matrox® Iris GTR, 55mm O.D., 50mm length	Clear	LP286
EN-DC55-55	Lens cover for Matrox® Iris GTR, 55mm O.D., 55mm length	Clear	LP286
EN-DC55-55R	Lens cover for Matrox® Iris GTR, 55mm O.D., 55mm length	Red	BP635
EN-DC55-55B	Lens cover for Matrox® Iris GTR, 55mm O.D., 55mm length	Blue	BP470
EN-DC55-55O	Lens cover for Matrox® Iris GTR, 55mm O.D., 55mm length	Orange	BP590
EN-DC55-55NIR	Lens cover for Matrox® Iris GTR, 55mm O.D., 55mm length	VIS Bandpass/UV/ NIR Block	SP700
EN-DC55-55BP	Lens cover for Matrox® Iris GTR, 55mm O.D., 55mm length	Near IR bandpass	BP850
EN-DC55-60	Lens cover for Matrox® Iris GTR, 55mm O.D., 60mm length	Clear	LP286
EN-DC55-70	Lens cover for Matrox® Iris GTR, 55mm O.D., 70mm length	Clear	LP286
EN-DC55-75	Lens cover for Matrox® Iris GTR, 55mm O.D., 75mm length	Clear	LP286
EN-DC55-80	Lens cover for Matrox® Iris GTR, 55mm O.D., 80mm length	Clear	LP286
EN-DC55-90	Lens cover for Matrox® Iris GTR, 55mm O.D., 90mm length	Clear	LP286
EN-DC55-A-100	Lens cover for Matrox® Iris GTR, 55mm O.D., 100mm length	Clear	LP286
GMLC-75-PW	Disposable Protective Window for EN-DC55 covers	Clear	Borofloat
EN-DC55-25-XR	Extension Ring for EN-DC55-XX, 25mm long	N/A	N/A
EN-SL-A	Swivellink® mount adapter, fits SLM-1 and ASFB-1	N/A	N/A

Contact us today at: 630-257-0605 / 800-578-6695 (outside Illinois) or visit us online: www.ComponentsExpress.com



10330 Argonne Woods Drive, Suite 100 • Woodridge, IL 60517-5066
Tel 630-257-0605 / 800-578-6695 (outside Illinois) Fax 630-257-0603

CEI Machine Vision IP67 Lens Covers for Matrox® Iris GTR

As a leading innovator in the Machine Vision Industry, CEI is proud to introduce our new line of Machine Vision Camera Enclosures, Cables, and Accessories for demanding vision applications.

CEI IP67 Lens Covers for Matrox® Iris GTR

- **CEI Part Number: EN-DC55-XX***
- **Covers a wide range of Optics to create a fully IP67 Smart Camera Solution**
- **Available in lengths from 30mm to 100mm**
- **55mm OD with 58mm Window opening**
- **O-Ring sealing**
- **Easy to change Midwest Optical Systems® BoroFloat AR coated protective Window or Filter**
- **Threaded face to accept additional mounted M62 x P0.75 Filters**
- **Lightweight 6061 Aluminum construction**
- **Type 2 anodizing**
- **Optional 25mm EN-DC55-25-XR Extension Ring and E-GTR-LB light bracket available.**
- **Available disposable protective window**
- **Competitive pricing**
- **Made in USA**



EN-DC55-75 IP67 Lens cover installed on Matrox® Iris GTR

Contact CEI for Application and Configuration Details.

*See appendix "A" Part Number List for available: Lengths, Windows and Filter, options.



Available **EN-DC55-25-XR** IP67 Lens cover extension ring.



Appendix "A" Ordering Information

PART NUMBER	DESCRIPTION: IP67 Lens Covers for Matrox® Iris GTR	COLOR	FILTER
EN-DC55-30	Lens cover for Matrox® Iris GTR, 55mm O.D., 30mm length	Clear	LP286
EN-DC55-40	Lens cover for Matrox® Iris GTR, 55mm O.D., 40mm length	Clear	LP286
EN-DC55-50	Lens cover for Matrox® Iris GTR, 55mm O.D., 50mm length	Clear	LP286
EN-DC55-55	Lens cover for Matrox® Iris GTR, 55mm O.D., 55mm length	Clear	LP286
EN-DC55-55R	Lens cover for Matrox® Iris GTR, 55mm O.D., 55mm length	Red	BP635
EN-DC55-55B	Lens cover for Matrox® Iris GTR, 55mm O.D., 55mm length	Blue	BP470
EN-DC55-55O	Lens cover for Matrox® Iris GTR, 55mm O.D., 55mm length	Orange	BP590
EN-DC55-55NIR	Lens cover for Matrox® Iris GTR, 55mm O.D., 55mm length	VIS Bandpass /UV/NIR Block	SP700
EN-DC55-55BP	Lens cover for Matrox® Iris GTR, 55mm O.D., 55mm length	Near IR bandpass	BP850
EN-DC55-60	Lens cover for Matrox® Iris GTR, 55mm O.D., 60mm length	Clear	LP286
EN-DC55-70	Lens cover for Matrox® Iris GTR, 55mm O.D., 70mm length	Clear	LP286
EN-DC55-75	Lens cover for Matrox® Iris GTR, 55mm O.D., 75mm length	Clear	LP286
EN-DC55-80	Lens cover for Matrox® Iris GTR, 55mm O.D., 80mm length	Clear	LP286
EN-DC55-90	Lens cover for Matrox® Iris GTR, 55mm O.D., 90mm length	Clear	LP286
EN-DC55-A-100	Lens cover for Matrox® Iris GTR, 55mm O.D., 100mm length	Clear	LP286
Optional Accessories			
GMLC-75-PW	Disposable Protective Window for EN-DC55 covers	Clear	Borofloat
EN-DC55-25-XR	Extension Ring for EN-DC55-55-XX, 25mm long		
EN-SL-A	Swivellink® mount adapter, fits SLM-1 and ASFB-1		
E-GTR-LB	IP67 GTR flip light bracket W/ Light Plate (Does not include lens cap or mounting adapter)		



Scan QR to view
Assembly video

CEI Machine Vision Accessories for Matrox® Iris GTR

As a leading innovator in the Machine Vision Industry, CEI is proud to introduce our new line of Machine Vision Camera Enclosures, Cables, and Accessories for demanding vision applications.

CEI Accessories for Matrox® Iris GTR

- **IP67 Lens Covers**
P/N: EN-DC55-XX*

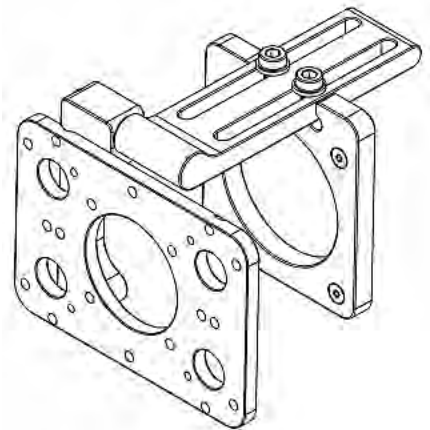
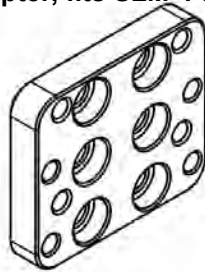


- **25mm Lens Cover Extension Ring**
P/N: EN-DC55-25-XR



EN-DC55-75 IP67
Lens cover installed on
Matrox® Iris GTR

- **Swivel link mount adapter, fits SLM-1 and ASFB-1**
P/N: EN-SL-A



- **Flip Light Bracket for Smart Vision Lights® and other Lights**
P/N: E-GTR-LB

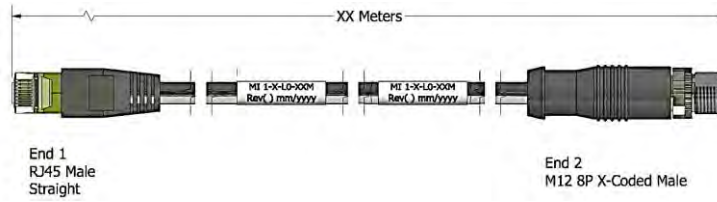
- **Disposable Protective Window for EN-DC55 Lens Covers**
P/N: GMLC-75-PW



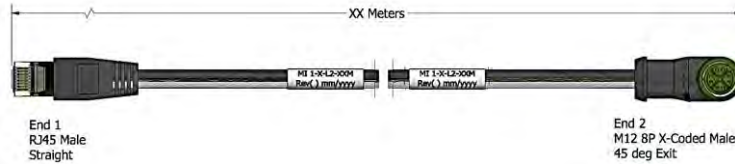
- **CEI Machine Vision Cables for Matrox® Iris GTR**
(see page 2)

CEI Machine Vision Cables for Matrox® Iris GTR

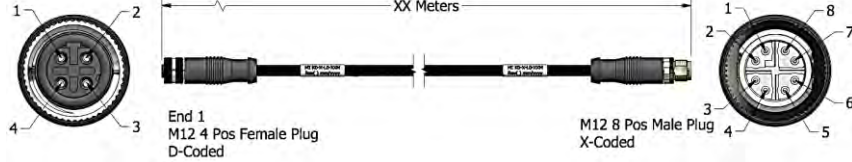
- M12 X-Code Gigabit Ethernet cables straight
P/N: MI-1-X-L0-XXM



- M12 X-Code Gigabit Ethernet cables right angle
P/N: MI-1-X-L2-XXM

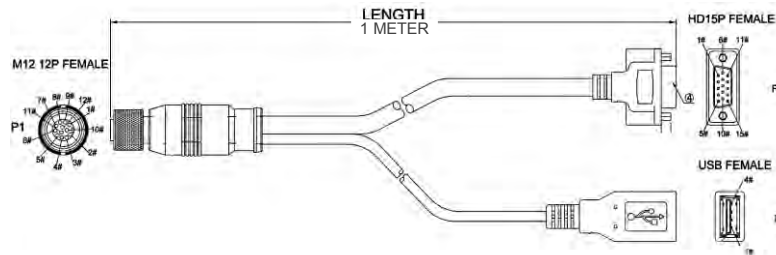


- M12 X-Code to Industrial Ethernet cables
P/N: MI-K0-X-L0-XXM



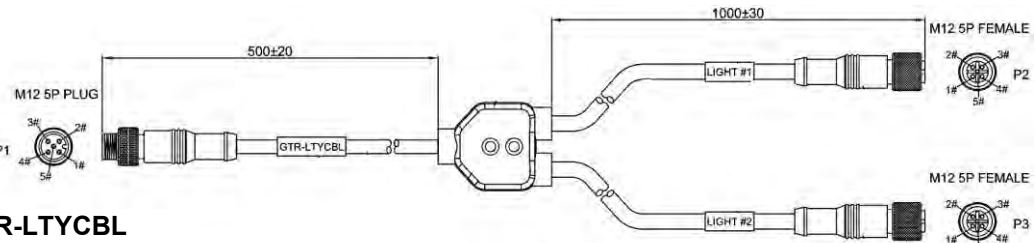
- Specific breakout cables:
Contact CEI for Application and Configuration Details.

VGA/USB I/O cable P/N: GTR-VGA-USB



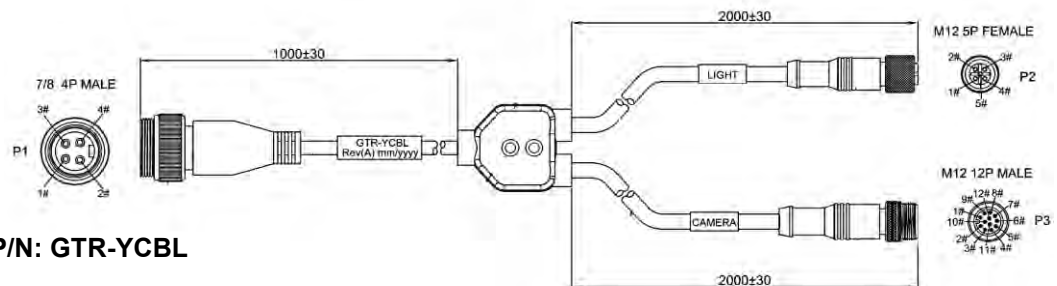
Light Breakout Cable

P/N: GTR-LTYCBL



Power Breakout Cable for Camera & Light

P/N: GTR-YCBL





COMPONENTS EXPRESS, INC.
INDUSTRY LEADING PERFORMANCE

10330 Argonne Woods Drive, Suite 100 • Woodridge, IL 60517

Tel 630-257-0605 / 800-578-6695 (outside Illinois) Fax 630-257-0603

CEI Machine Vision Camera Enclosure Adjustable Mount

As a leading innovator in the Machine Vision Industry, CEI is proud to introduce our new line of Machine Vision Camera Enclosures, Cables, and Accessories for demanding vision applications.

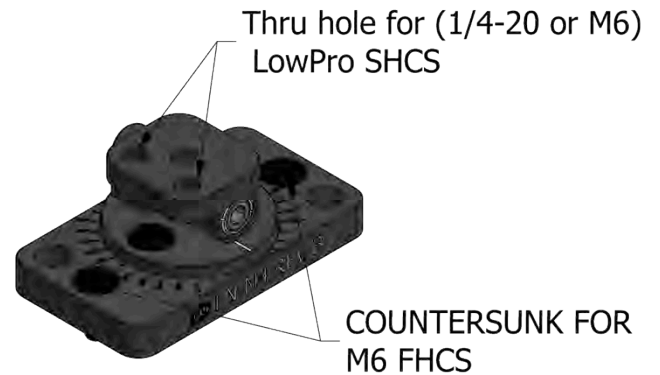
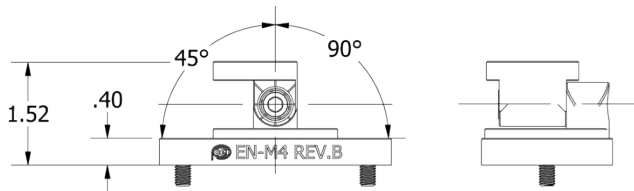
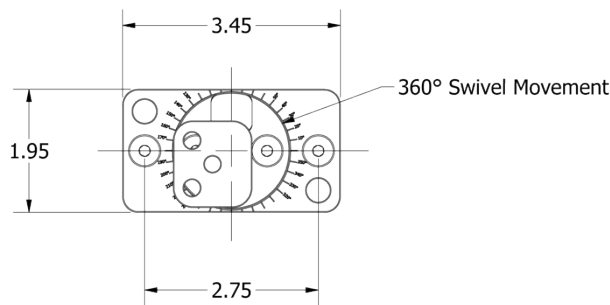
EN-M4 Adjustable Camera Mount

- CEI part number: EN-M4
- Supports 360° rotation, 90° tilting
- Index marks for quick repeatable setups
- Strong collet-style tilt lock
- Lightweight low-profile design
- Type 2 anodizing
- Competitive pricing
- Made in USA, Patent Pending

Contact CEI for Application and Configuration Details.



**EN-M4 Mount shown with
CEI 55mm IP67 Round Enclosure**



Call Components Express, Inc. at 630-257-0605 for Ordering Information.

IEN-M4 - Rev B



COMPONENTS EXPRESS, INC.
INDUSTRY LEADING PERFORMANCE

10330 Argonne Woods Drive, Suite 100 • Woodridge, IL 60517
Tel 630-257-0605 / 800-578-6695 (outside Illinois) Fax 630-257-0603

CEI Machine Vision Camera Enclosure Extreme Duty Adjustable Mount

As a leading innovator in the Machine Vision Industry, CEI is proud to add to our new line of Machine Vision Camera Enclosures, Cables, and Accessories for demanding vision applications.

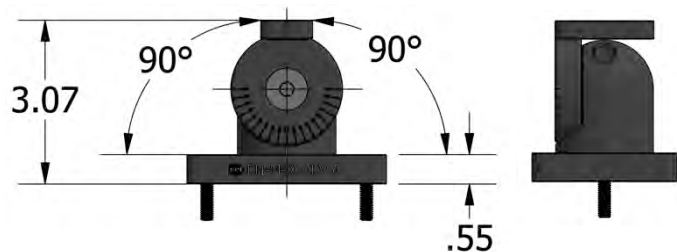
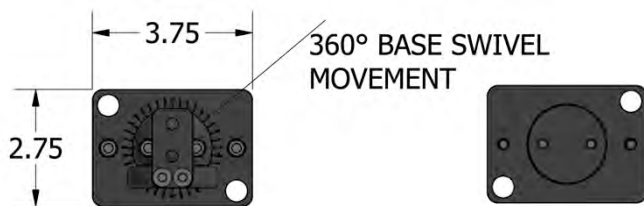
EN-M4X Extreme Duty Adjustable Camera Mount

- CEI part number: EN-M4X
- Supports 360° rotation, 180° tilting
- Index marks for quick repeatable setups
- Strong taper-style tilt lock
- Lightweight low-profile design
- Type 2 anodizing
- Competitive pricing
- Made in USA, Patent Pending

Contact CEI for Application and Configuration Details.



EN-M4X Mount shown with
CEI 88mm IP67 Round Enclosure



Call Components Express, Inc. at 630-257-0605 for Ordering Information.

EN-M4X - Rev A