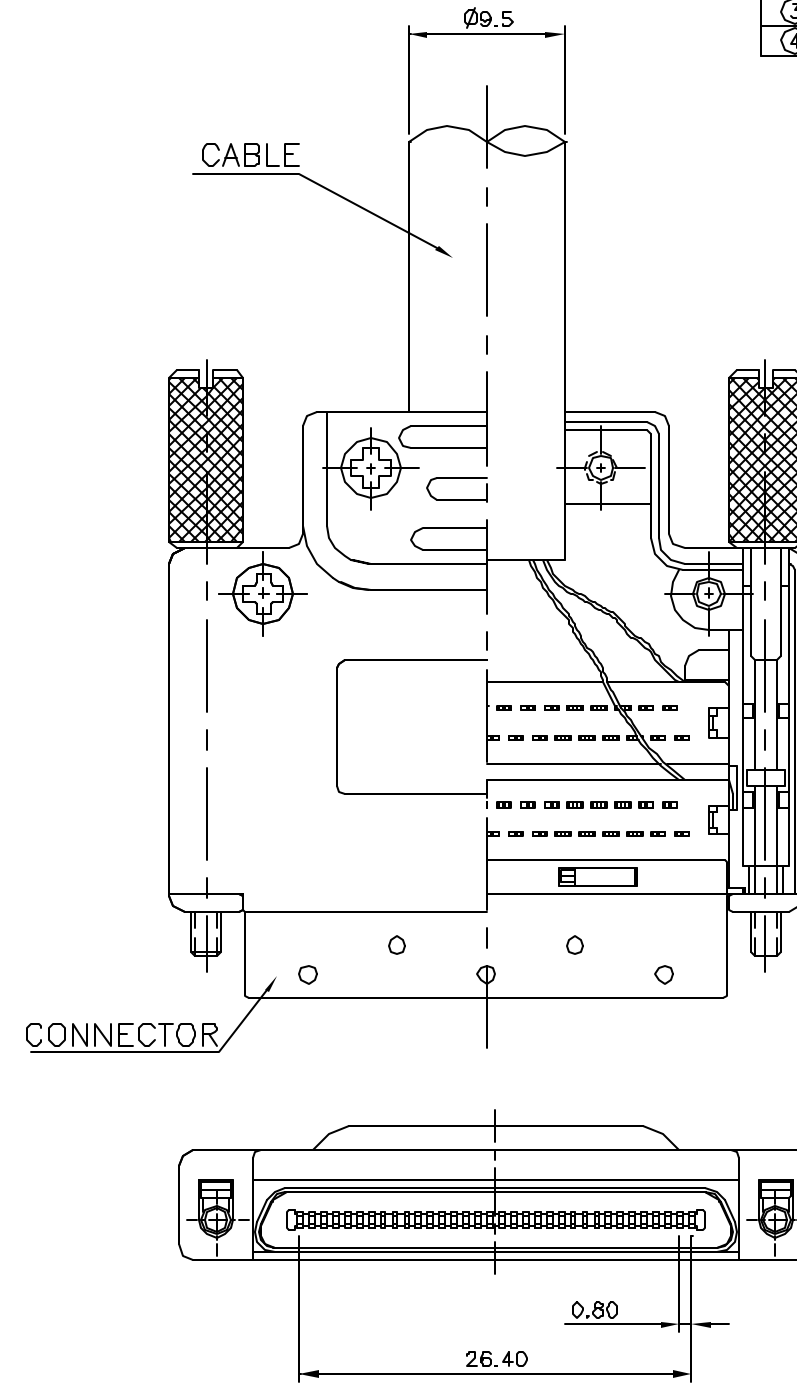
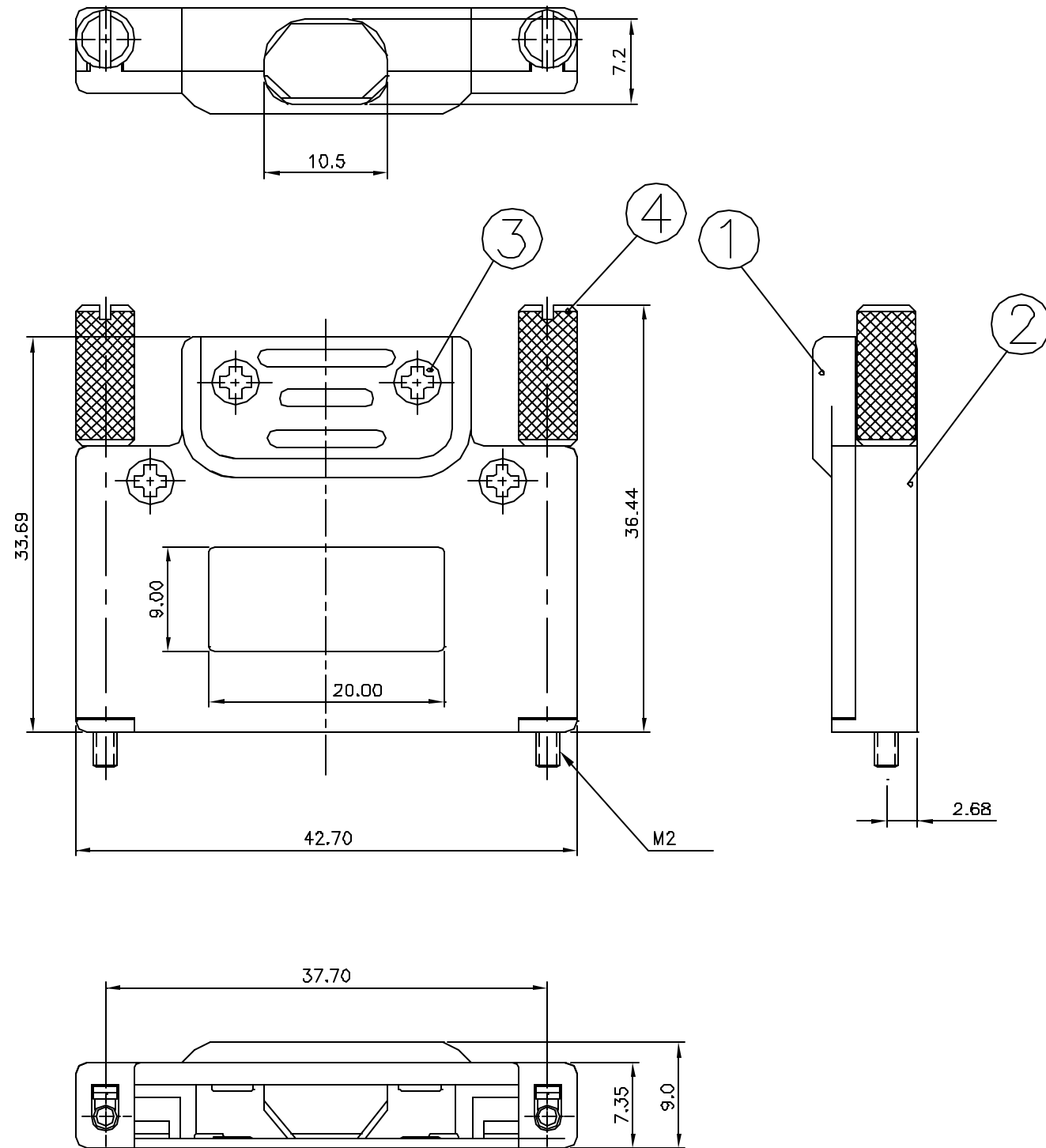


Item#	Material & Finish	Qty	Remarks
①	Zinc alloy with nickel plating	1	FRONT COVER
②	Zinc alloy with nickel plating	1	REAR COVER
③	Steel with nickel plating	4	FLAT HEAD SCREW
④	Stainless steel	2	LOCK SCREW



AFTER CONNECTOR ASSEMBLY

PAGE 1 OF 1	PROPOSAL NUMBER:	MHO TRONICS PART NUMBER: 191-000001-005	
	TOLERANCES: UNLESS OTHERWISE NOTED, ALL LINEAR TOLERANCES ARE -2,+4% (±5mm MIN)	CAD FILE NUMBER:	CUSTOMER PART NUMBER:
THIRD ANGLE PROJECTION	DRAWN BY:	DATE: 1/14/99	APPROVED BY:
	CHECKED BY:	DATE:	DATE: