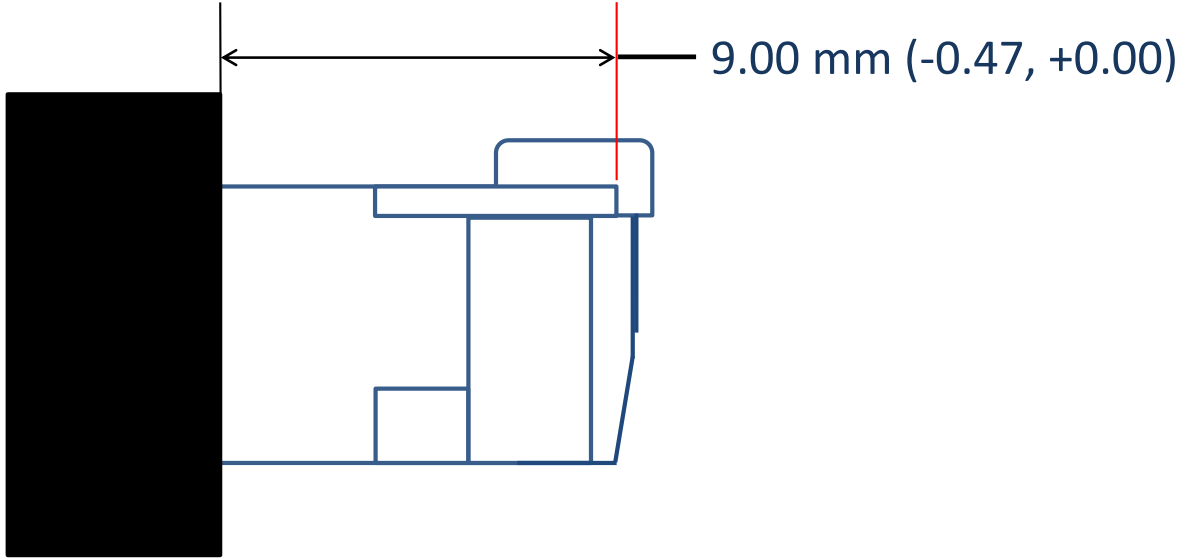




[Click here to view the:](#)  
*GigE Vision Mechanical Supplement ver 1.0*

**MV**  
( Standard Dimension, Type 90 )  
**For All Connectors**  
**Except for: 1 & 13-19**



**MA**  
( Extended Dimension, Type 110 )  
**For All Connectors**

