

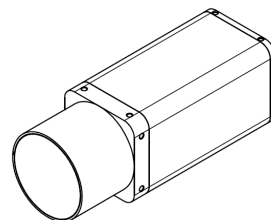


Machine Vision Camera Enclosure IP67 29mm Series Square

As a leading innovator in the Machine Vision Industry, CEI is proud to introduce our new line of Machine Vision Camera Enclosures, Cables, and Accessories for demanding vision applications.

IP67 29mm Series Camera Enclosure Key Features

- CEI Integrated Connector Design (no cord grips)
- IP67 protection
- Universal design for popular 29mm camera models
- Excellent heat dissipation
- Enclosure tailored for specific Camera & Optics
- Flexible mounting options
- High quality (easy to replace) windows by Midwest Optics
- Lightweight low-profile design
- Type 2 anodizing
- Options: Mounts, Visors, Air Curtains, Windows & Filters, Cables
- Options: Custom Sizes, lengths, and focusing solutions.
- Options: Complete Solutions (Camera, Enclosure, Cabling)
- Competitive pricing
- Made in USA , Patent Pending



Enclosure Specs (See Appendix "A" for part numbers)

Camera: 29mm square mount machine vision

Optics: Supports a wide range of C-Mount optics

Window: Midwest Optical 2mm Borofloat glass – AR coated

Interface Connector: M12 X-Code Ethernet

Optional Interface: M12 A-Code I/O Male

Mounting: M3 tapped holes / 1/4"-20 with optional adapter

Sealing: IP67

Material: 6063 Aluminum

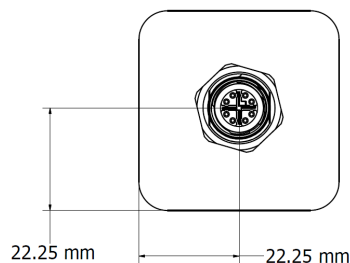
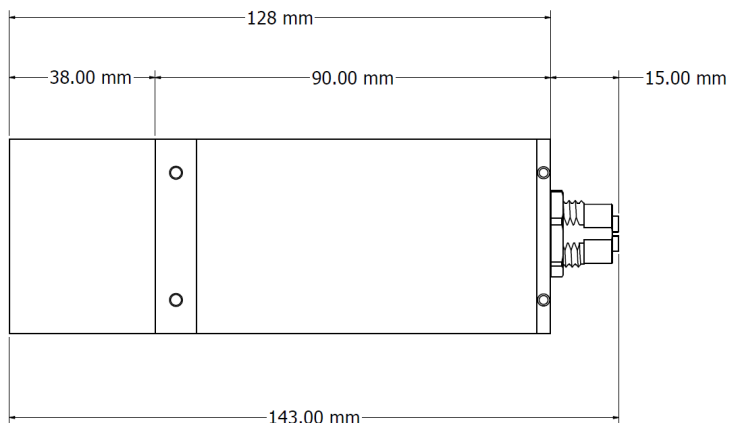
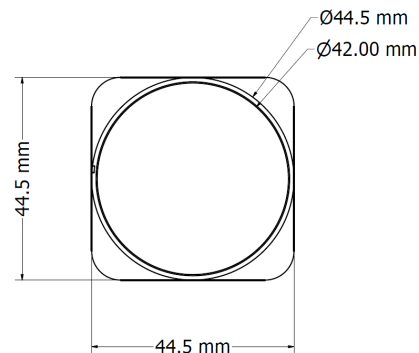
Coating: Type 2 anodized

Length: 143 mm (with 38mm Lens Cover and M12 connector.)

Height / Width: 44.5 mm square

Window Diameter: 42 mm

Weight: 355 g (typical weight fully assembled W/ Camera)



Appendix "A" CEI IP67 29mm Series Camera Square:

CEI "Small" square 29mm IP67 Gig-E Enclosure for up to 38mm dia. C-mount lenses, M12 Gig-E connector, and 2x M3 tapped mounting holes.

<u>Part Number</u>	<u>Description (enclosure & mount only, lens cover required - see below)</u>
EN-29S-38	29mm Square IP67 enclosure, 38mm max. lens dia., M3 mount holes

CEI "Small" square 29mm IP67 Enclosure for up to 38mm dia. C-mount lenses with M12 Gig-E and I/O connectors, and 2x M3 tapped mounting holes.

<u>Part Number</u>	<u>Description (enclosure & mount only, lens cover required see below)</u>
EN-29SI-38	29mm Square IP67 enclosure, 38mm max. lens dia., M3 mount holes

Lens Covers with 2mm Borofloat AR coated glass windows for CEI EM-29S series IP67 enclosures

<u>Part Number</u>	<u>Description (lens cover only, enclosure required - see above)</u>
--------------------	--

EN-LC38-30	38mm max. lens dia., 30mm length
-------------------	----------------------------------

EN-LC38-36	38mm max. lens dia., 36mm length
-------------------	----------------------------------

EN-LC38-38	38mm max. lens dia., 38mm length
-------------------	----------------------------------

EN-LC38-44	38mm max. lens dia., 44mm length
-------------------	----------------------------------

EN-LC38-48	38mm max. lens dia., 48mm length
-------------------	----------------------------------

EN-LC38-50	38mm max. lens dia., 50mm length
-------------------	----------------------------------

EN-LC38-52	38mm max. lens dia., 52mm length
-------------------	----------------------------------

Assembled lens cover dimension is 6mm shorter than specified lens cover length, for example a EN-29S-30 enclosure assembly with EN-LC38-36 lens cover will be $90\text{mm} + 36\text{mm} - 6\text{mm} = 120\text{mm}$ long (L)

Optional accessories for CEI square 29mm IP67 Enclosure

<u>Part Number</u>	<u>Description</u>
--------------------	--------------------

EN-2X.25-20-BRK	1/4-20 mount adapter for CEI 29mm square IP67 enclosure
------------------------	---