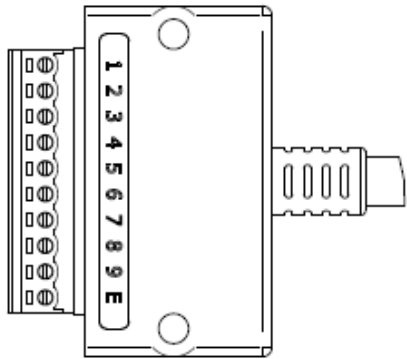
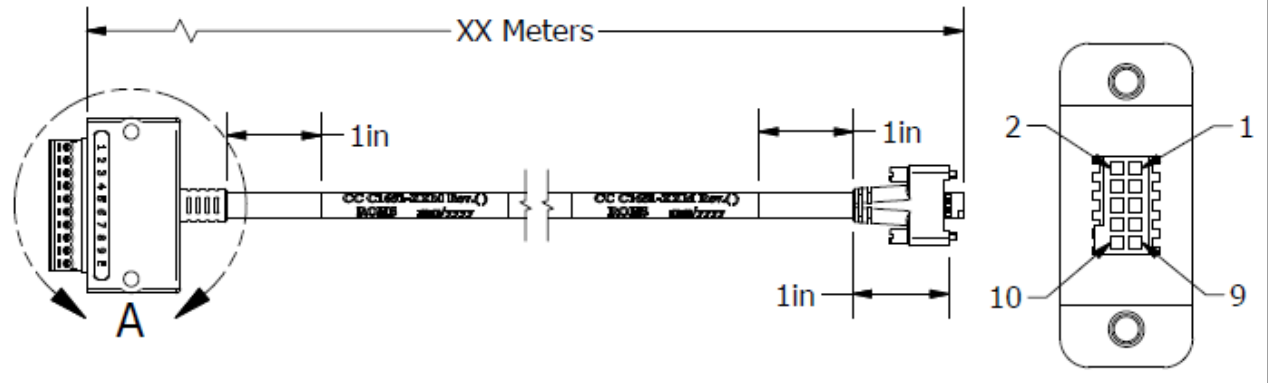
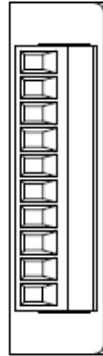


REVISION HISTORY				
ZONE	REV	DESCRIPTION	DATE	APPROVED
	A	Initial Drawing	8/3/2015	Artur Didyk



DETAIL A  
SCALE 1 : 1

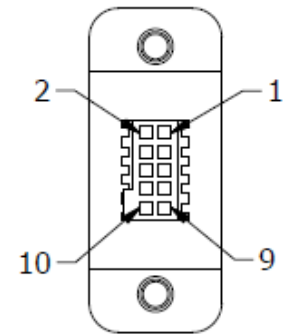
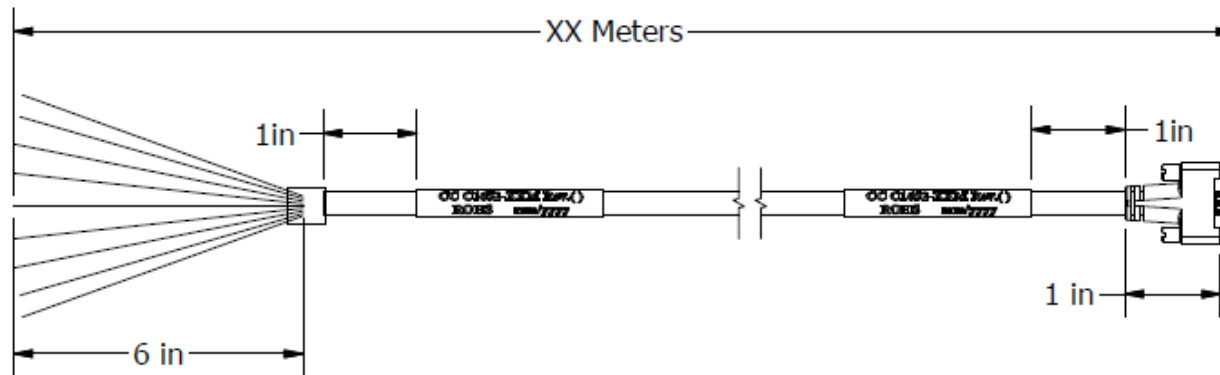


End 1	Color Code	End 2
1	BLACK	1
2	RED	2
3	BROWN	3
4	ORANGE	4
5	YELLOW	5
6	GREEN	6
7	BLUE	7
8	VIOLET	8
9	GRAY	9
E	Shield	10

DRAWN Artur Didyk	8/3/2015	Components Express, Inc.		
CHECKED				
QA		TITLE		
MFG		Dalsa Genie Nano Euro Block I/O Cable		
APPROVED		SIZE A	DWG NO CC C1651-XXM Spec Sheet	REV A
		SCALE 1 / 2	SHEET 1 OF 1	

REVISION HISTORY

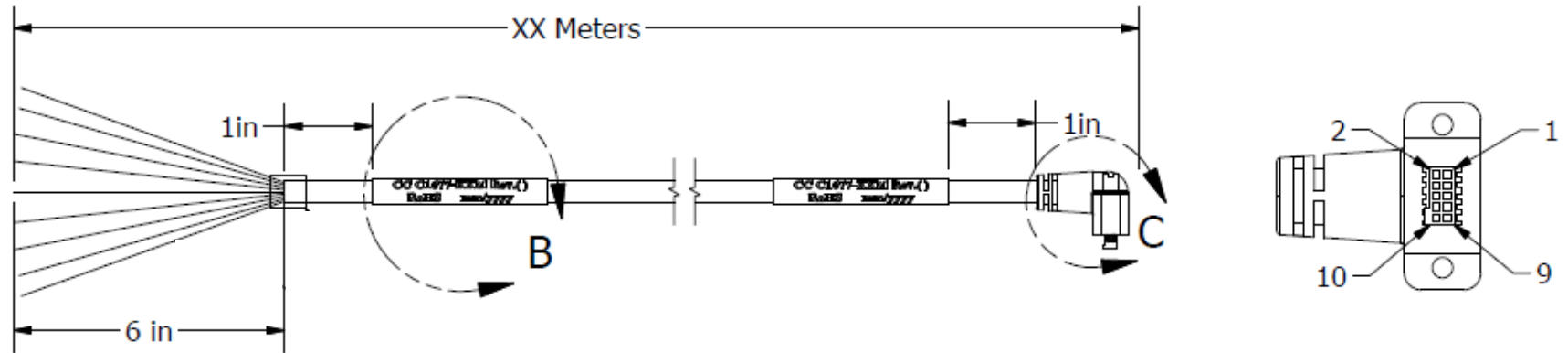
ZONE	REV	DESCRIPTION	DATE	APPROVED
	A	Initial Drawing	8/3/2015	Artur Didyk



Pin #	Color Code
1	BLACK
2	RED
3	BROWN
4	ORANGE
5	YELLOW
6	GREEN
7	BLUE
8	VIOLET
9	GRAY
10	Drain

DRAWN Artur Didyk	8/3/2015	Components Express, Inc.		
CHECKED				
QA		TITLE		
MFG		Dalsa Genie Nano Flying Lead I/O Cable		
APPROVED		SIZE A	DWG NO CC C1652-XXM Spec Sheet	REV A
		SCALE 1 / 2	SHEET 1 OF 1	

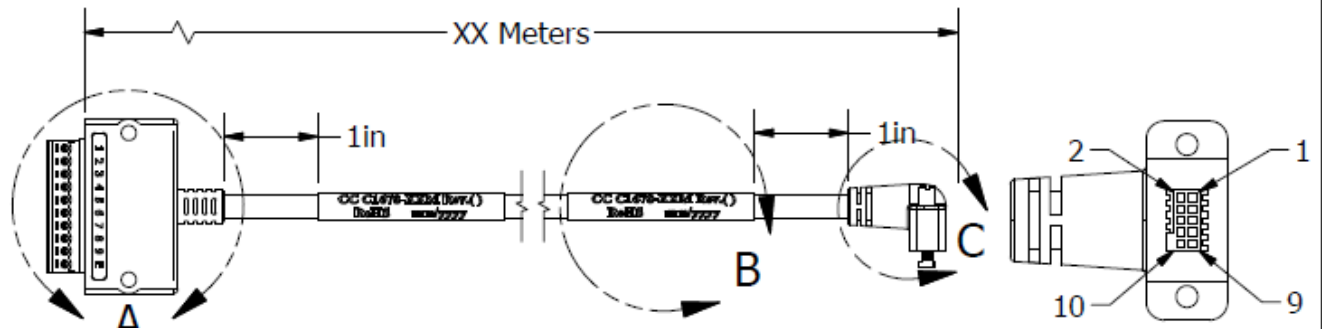
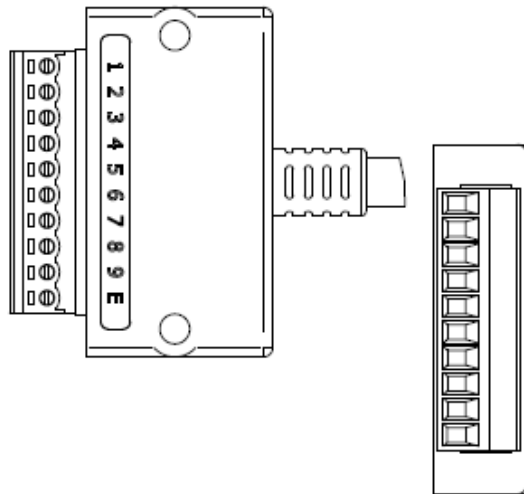
REVISION HISTORY				
ZONE	REV	DESCRIPTION	DATE	APPROVED
	A	Initial Drawing	12/21/2015	Artur Didyk



Pin #	Color Code
1	BLACK
2	RED
3	BROWN
4	ORANGE
5	YELLOW
6	GREEN
7	BLUE
8	VIOLET
9	GRAY
10	Drain

DRAWN Artur Didyk	12/21/2015	Components Express, Inc.		
CHECKED				
QA		TITLE		
MFG		Dalsa Genie Nano Flying Lead I/O Cable		
APPROVED		SIZE A	DWG NO CC C1677-XXM	REV A
		SCALE 1 / 2	SHEET 1 OF 1	

REVISION HISTORY				
ZONE	REV	DESCRIPTION	DATE	APPROVED
	A	Initial Drawing	12/29/2015	SC



End 1	Color Code	End 2
1	BLACK	1
2	RED	2
3	BROWN	3
4	ORANGE	4
5	YELLOW	5
6	GREEN	6
7	BLUE	7
8	VIOLET	8
9	GRAY	9
E	Shield	10

DRAWN	SC	12/29/2015	Components Express, Inc.		
CHECKED					
QA			TITLE		
MFG			Dalsa Genie Nano Euro Block I/O Cable		
APPROVED			SIZE	DWG NO	REV
			A	CC C1678-XXM	A
			SCALE	SHEET 1 OF 1	
			1 / 2		