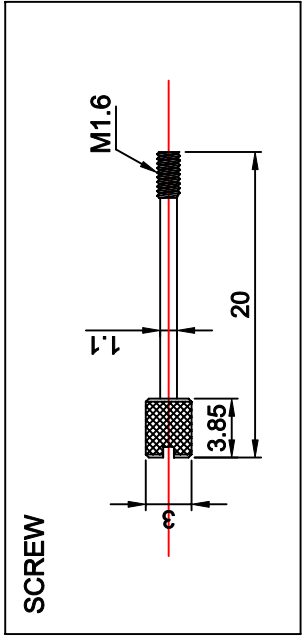
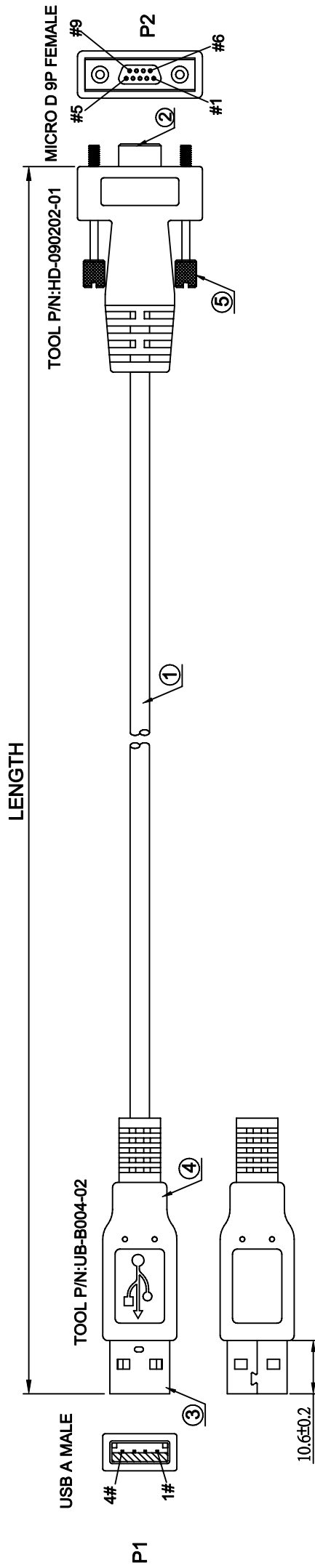


RoHS COMPLIANT

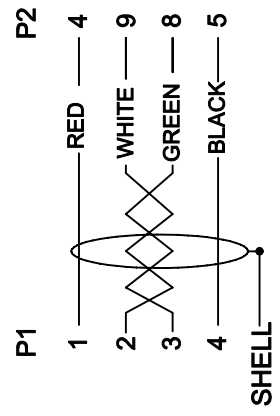
DESCRIPTION CONTROL		
REV	DESC	DATE
A	FIRST EDITION	2009/02/11
APP		




PART NO.	LENGTH
CY-S-0466-03M	3000±50
CY-S-0466-05M	5000±50

NOTES:
 1. PIN ASSIGNMENT SEE TO WIRE LIST.
 2. ELECTRICAL TEST CONDITION:
 (a). 100% OPEN, SHORT & MISWIRE TEST.
 (b). INSULATOR RESISTANCE: 20 Mohm MIN. DC 300V 0.01sec; 0.03sec.
 (c). CONTACT RESISTANCE: 3 ohm MAX.

PIN ASSIGNMENT



ITEM	QTY	PART NUMBER	DESCRIPTION
5	2	C0347	SCREW: M1.6 3.0*20MM, NICKEL PLATED.
4		G0001	ALL CONNECTOR OVERMOLD BLACK PVC.
3	1	A0114	USB A TYPE ,MALE ,GOLD PLATED 30" SOLDER TYPE.
2	1	A0550	MICRO D 9P FEMALE, SOLDER TYPE, BLACK INSULATOR, WITH M1.6 AND M3 SCREW.
1	1	E0849 HT304R	28AWG*1P+26AWG*2C-AM-SP-FPP. OD: 4.5MM UL20276 BLACK PVC JACKET.



COMPONENTS EXPRESS INC.
 PH: 1 800-578-6695
 www.ComponentsExpress.com

REV.	DWG NO:	CY-S-0466
A	CUSTOMER:	CEI

DRAW, BY: CHEN GAN TAO **CUSTOMER P/N:** CY-S-0466-XXM
CHECK, BY: CAO JIA WEI
APP, BY: MR. HUANG

SCALE	UNIT	SHEET
FREE	mm	1/1