

uEye CABLING

CY-S-0399-03M
CY-S-0399-05M

Description:
R/A Micro-D to
USB-A plus Trigger



CY-S-0375-03M
CY-S-0375-05M

Description:
R/A Micro-D
to USB-A



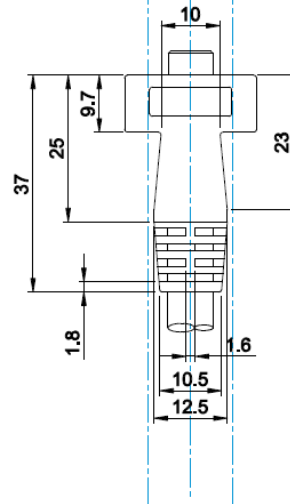
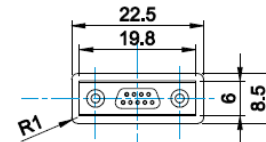
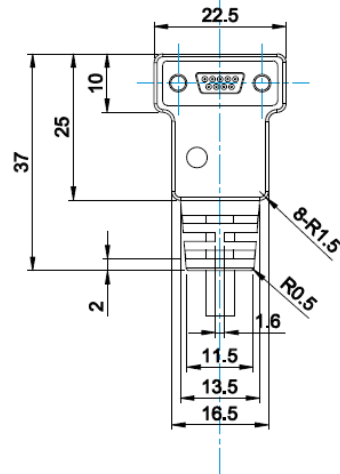
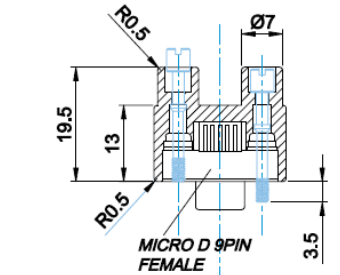
CY-S-0467-03M
CY-S-0467-05M

Description:
Straight Micro-D to
USB-A plus Trigger



CY-S-0466-03M
CY-S-0466-05M

Description:
Straight Micro-D
to USB-A



Temp 6-5-19